



## Dedicated Outdoor Air Specialists



### MC\MA Series Split System

As buildings become more diverse, more versatile ventilation solutions are required.

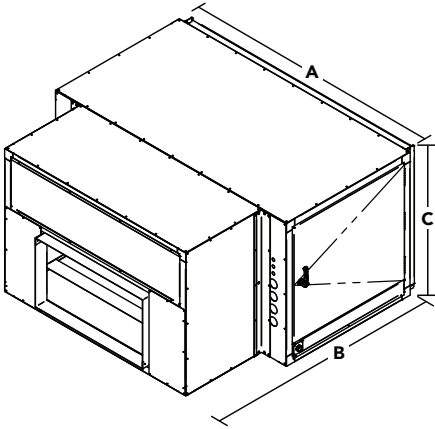
At Addison, our drive to provide the best solutions for customers has led to the development of our all-new modular split dedicated outdoor air system.

The MC\MA Series delivers exceptional performance and versatility over its standard 3.5 - 80 Ton range. Featuring a modular design, the MA air handler can be field converted to either vertical or horizontal discharge. It's a perfect match for every application requiring split systems for ventilation or dehumidification. Additionally, the modular design allows it to be installed in exceptionally tight spaces. From Retail, Offices, Hospitality, and more, the new MC\MA Series is a perfect fit for your next project.

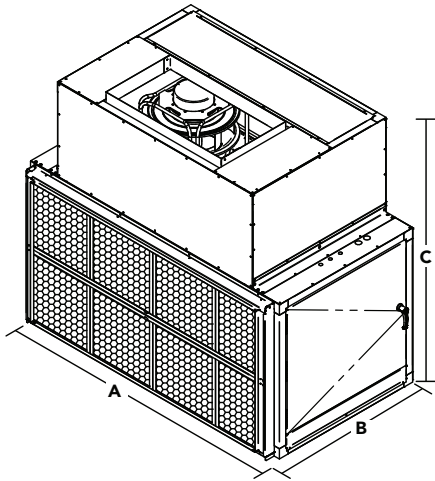
### Standard & Optional Features:

- Capacity from 3.5 - 80 Tons
- Dedicated Outdoor Air or Recirculating Comfort Cooling Operation
- Optional Heat Pump Operation
- Airflow from 500 - 15,000 CFM (Outdoor Air)
- 2" Double-Wall Foam Insulated Construction (R-13)
- Hinged, Double-Walled Access Doors
- 6-Row Intertwined Air Coils
- Modulating Reheat Circuit
- Switchable SubCooling Circuit
- Scroll Compressors (Optional Lead VFD)
- All-Digital Controls with BAS Integration
- Direct Drive EC Plenum Supply Blowers
- Aluminum and Galvanized Steel Cabinet
- MicroChannel Condenser Coils
- Direct Drive EC Condenser Fans
- Multiple Service Access Points
- Optional 10,000 Hour Corrosion Protection

# MC\MA Series Dimensions



- MA Horizontal Orientation:**  
Airflow Options
- Top
  - Bottom
  - Rear
  - Left Side
  - Right Side

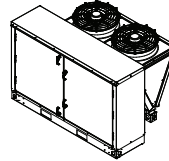


- MA Vertical Orientation:**  
Airflow Options
- Top
  - Left Side
  - Right Side
  - Back
  - Front

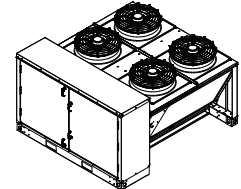


**MC B2 Cabinet**

**MC C4 Cabinet**



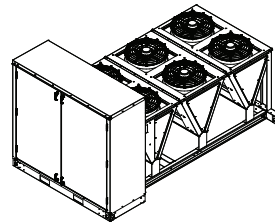
**62.25" L X 86.375W X 80.75H**



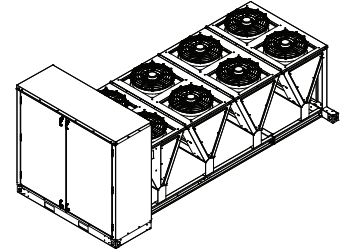
**96.75" L X 86.375W X 80.75H**

**MC D6 Cabinet**

**MC E8 Cabinet**



**153.5" L X 86.375W X 80.75H**



**195.125" L X 86.375W X 80.75H**

## Dedicated Outdoor Air Operation - Vertical [Horizontal]

Model:	Cabinet:	Length: (A)	Width: (B)	Height: (C)
MA042 - 072	A	41.50 [41.50]	37.375 [56.875]	53.125 [33.625]
MA096 - 120	B	55.50 [55.50]	37.375 [67.875]	59.125 [33.625]
MA150 - 180	C	53.50 [53.50]	45.4375 [70.875]	67.1875 [41.625]
MA210 - 240	D	60.75 [60.75]	45.4375 [70.875]	67.1875 [41.625]
MA300 - 360	E	77.50 [77.50]	45.4375 [70.875]	67.1875 [41.6875]
MA420 - 960	F	96.00 [96.00]	54.4375 [79.875]	76.1875 [50.625]

## Recirculation Comfort Cooling Operation - Vertical [Horizontal]

Model:	Cabinet:	Length: (A)	Width: (B)	Height: (C)
MA042 - 072	B	55.50 [55.50]	37.375 [67.875]	59.125 [33.625]
MA096 - 150	C	53.50 [53.50]	45.4375 [70.875]	67.1875 [41.625]
MA180	D	60.75 [60.75]	45.4375 [70.875]	67.1875 [41.625]
MA210 - 240	E	77.50 [77.50]	45.4375 [70.875]	67.1875 [41.6875]
MA300 - 420	F	96.00 [96.00]	54.4375 [79.875]	76.1875 [50.625]

Note: Dimensions will be dependent on option content, and other field added features. Consult final selection drawings for complete details.



**Addison**  
7050 Overland Road  
Orlando, FL 32810  
1-407-292-4400  
www.addison-hvac.com