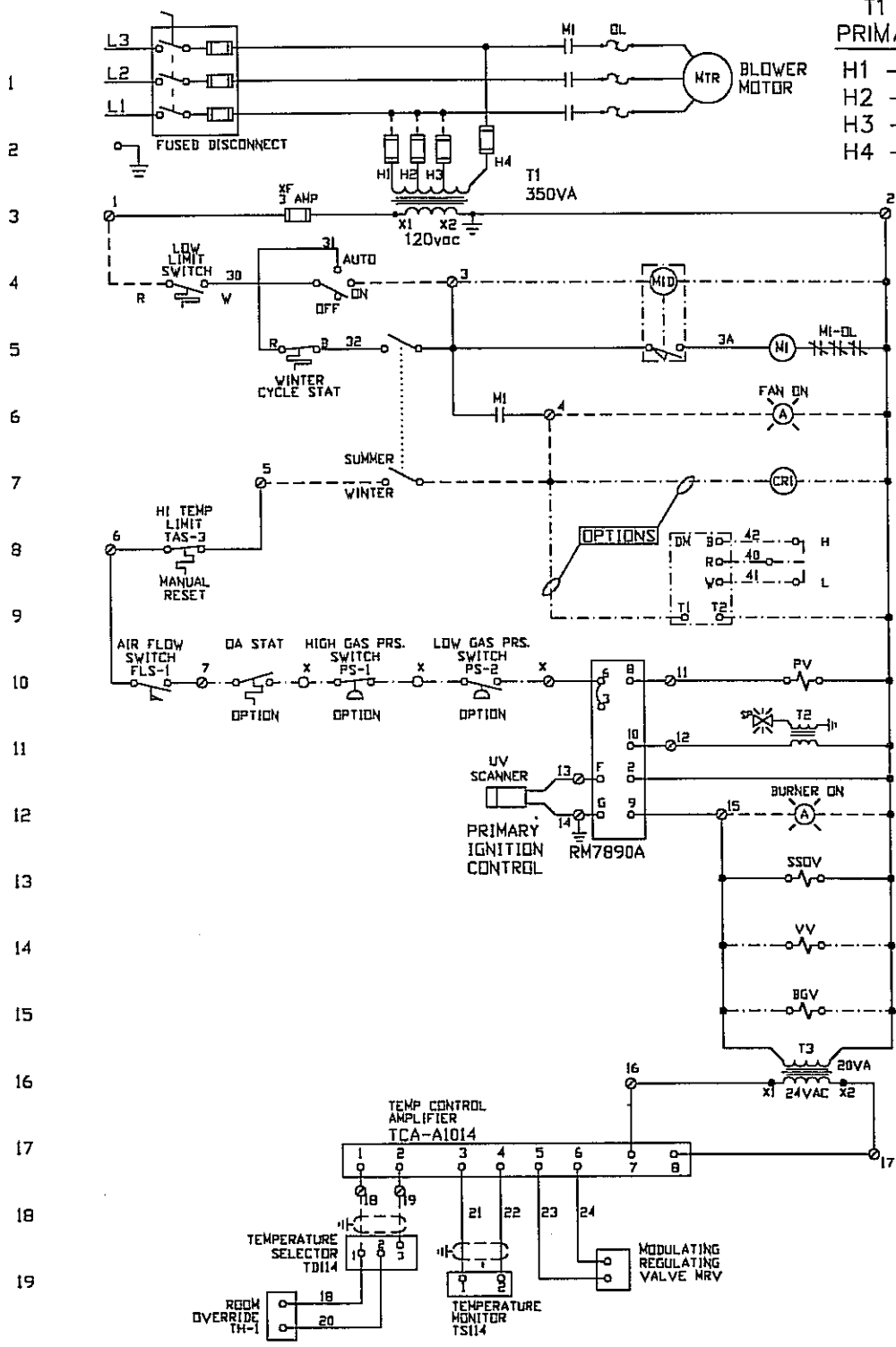


T1 TRANSFORMER PRIMARY CONNECTION

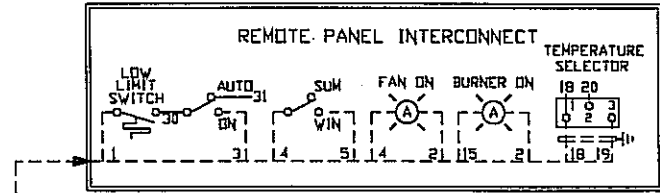


- H1 - 460
- H2 - 230
- H3 - 208
- H4 - COMMON

MOTOR CHART

VOLTS	HP	FRAME	FLA	FUSE	WIRE GA	OVERLOAD
460V	2	145T	3.4	6 1/2	14	H2007B-3
	3	182T	4.8	7	14	H2008B-3
	5	184T	7.6	12	14	H2009B-3
	7 1/2	213T	11	15	14	H2010B-3
	10	215T	14	20	12	H2011B-3
	15	254T	21	30	10	H2012B-3
230V 3ø	2	145T	6.8	12	14	H2009B-3
	3	182T	9.6	15	14	H2010B-3
	5	184T	15.2	25	10	H2011B-3
	7 1/2	213T	22	35	8	H2012B-3
	10	215T	28	40	8	H2013B-3
	15	254T	42	60	6	H2015B-3
208V	2	145T	7.5	12	14	H2009B-3
	3	182T	10.6	17 1/2	12	H2010B-3
	5	184T	16.7	25	10	H2012B-3
	7 1/2	213T	24.2	35	8	H2012B-3
	10	215T	30.8	45	8	H2013B-3
	15	254T	46.2	70	6	H2015B-3
230V 1ø	2	145T	12	17 1/2	12	H2011B-3
	3	182T	17	25	8	H2012B-3
	5	182T	22	35	8	H2013B-3
	7.5	182T	33.5	50	6	H2015B-3
	10	182T	48.0	60	6	H2016B-3

NOTE: MOTOR FULL LOAD AMPS SHOWN ARE TAKEN FROM THE NATIONAL ELECTRICAL CODE ARTICLE 430, TABLE 430-150. SEE MOTOR NAME PLATE FOR ACTUAL MOTOR FULL LOAD AMPS.



HARNES TO REMOTE PANEL
1-WHITE WIRE
5-RED WIRES
1 SHIELDED PAIR

(SDC - 2000)

- NOTES:
- ITEMS DRAWN IN DASH-DOT LINES ARE OPTIONS.
 - IF ANY ORIGINAL WIRING MUST BE REPLACED, REPLACE WITH TYPE TW WIRE OR ITS EQUIVALENT.
 - WIRES FOR REMOTE INTERCONNECT ARE 1,2,3,4,5,15,18,19 AND APPEAR IN HIDDEN LINES.

BANANZA
AIR MANAGEMENT SYSTEMS, INC.
5320 52nd Street SE
Kentwood, MI 49512
(616) 998-0500

CUSTOMER: _____
SERIAL No.: _____ DOC No.: _____

ENGINEER: _____
REVISED BY: _____ DATE: 3-5-91 CHKD BY: SM
DRAWN BY: KP DATE: 3-5-91 SHEET 1 OF 1 SCALE: NA
FILE: M3ELECMAST1 PLOT: NA