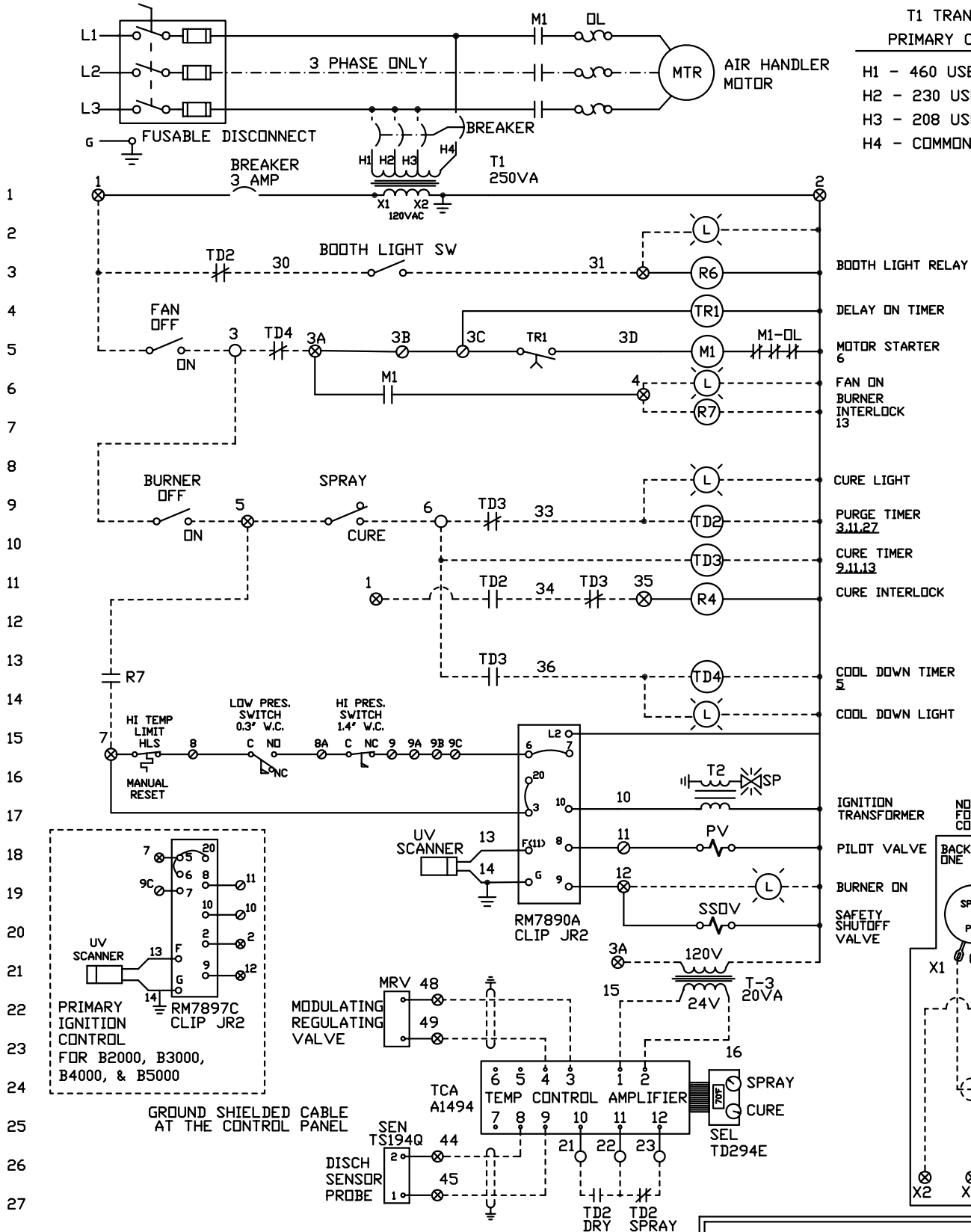
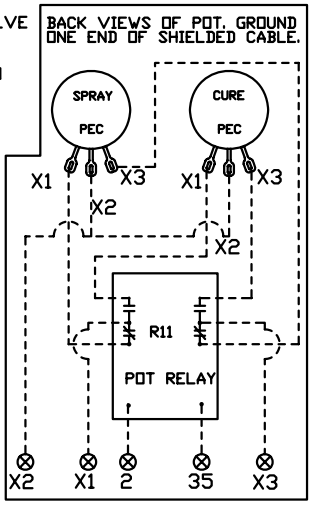


T1 TRANSFORMER
PRIMARY CONNECTION

- H1 - 460 USE 1.6 AMP BREAKER
- H2 - 230 USE 3.0 AMP BREAKER
- H3 - 208 USE 4.0 AMP BREAKER
- H4 - COMMON



NOTE:
FOR 1 P.D.T. USAGE DO NOT
CONNECT WIRE 35 TO R11



- NOTES:
- WIRE OVER 24VAC TO BE A MINIMUM OF 16 AWG FLEXING TYPE MTW, 105C, 600V OR EQUIVALENT
COLORS 115VAC: PHASE-RED, NEUTRAL-WHITE, GROUND-GREEN
COLORS 24VAC: BLUE
 - CONTROL WIRE TO BE A MINIMUM OF 20 AWG TYPE BELDEN 5401FE
CMR 75C SHIELDED OR EQUIVALENT
 - POWER SUPPLY AND MOTOR WIRES TO BE SIZED TO NFPA79, LATEST EDITION
COLORS ALL VOLTAGES: PHASE(S)-BLACK, GROUND-GREEN

- ⊙ TERMINALS LOCATED IN CONTROL PANEL ONLY
- ⊗ TERMINALS LOCATED IN CONTROL PANEL AND CONNECTED TO THE REMOTE PANEL
- TERMINALS LOCATED IN REMOTE PANEL ONLY
- WIRE(S) LOCATED IN CONTROL PANEL
- - - WIRE(S) LOCATED IN REMOTE PANEL
- ⊕ SHIELDED WIRE(S), ONE END GROUND

WIRE CONNECTIONS
REMOTE TO MAIN PANEL
1, 2, 3A, 4, 7, 12, 31, 35
X1, X2, X3 (SHIELD)
44, 45, 48, 49 (SHIELD)

BANANZA

1100 SEVEN MILE ROAD
COMSTOCK PARK, MI 49321
(616) 726-8800

TITLE: 80100 BAMS DLX DIGITAL
DRAWING NUMBER: 80100 REV NUMBER: G DRR-1832
DRAWN BY: JM DATE: SEP 27 2007
SCALE: NONE SHEET: 1 OF 1