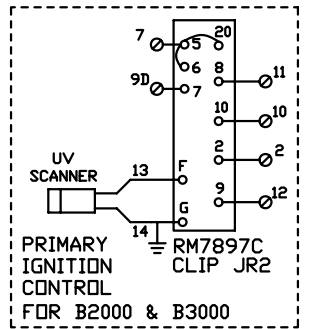
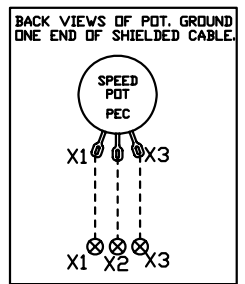


**T1 TRANSFORMER  
PRIMARY CONNECTION**

H1 - 460 USE 1.6 AMP BREAKER  
H2 - 230 USE 3.0 AMP BREAKER  
H3 - 208 USE 4.0 AMP BREAKER  
H4 - COMMON



- NOTES:**
- WIRE OVER 24VAC TO BE A MINIMUM OF 16 AWG FLEXING TYPE MTW, 105C, 600V OR EQUIVALENT  
COLORS 115VAC: PHASE-RED, NEUTRAL-WHITE, GROUND-GREEN  
COLORS 24VAC: BLUE
  - CONTROL WIRE TO BE A MINIMUM OF 20 AWG TYPE BELDEN 5401FE  
CMR 75C SHIELDED OR EQUIVALENT
  - POWER SUPPLY AND MOTOR WIRES TO BE SIZED TO NFPA79, LATEST EDITION  
COLORS ALL VOLTAGES: PHASE(S)-BLACK, GROUND-GREEN

- ⊙ TERMINALS LOCATED IN CONTROL PANEL ONLY
- ⊗ TERMINALS LOCATED IN CONTROL PANEL AND CONNECTED TO THE REMOTE PANEL
- TERMINALS LOCATED IN REMOTE PANEL ONLY
- WIRE(S) LOCATED IN CONTROL PANEL
- - - WIRE(S) LOCATED IN REMOTE PANEL
- ⊕ SHIELDED WIRE(S), ONE END GROUNDED

**WIRE CONNECTIONS  
REMOTE TO MAIN PANEL**  
1, 2, 3A, 4, 7, 12, 31  
44, 45, 48, 49 (SHIELD)  
X1, X2, X3 (SHIELD)

**TITLE:** 80080 DLX DIGITAL 60-160  
**DRAWING NUMBER:** 80080      **REV NUMBER:** C DRR-1748  
**DRAWN BY:** JM      **DATE:** FEB 22, 07  
**SCALE:** NONE      **SHEET:** 1 OF 1