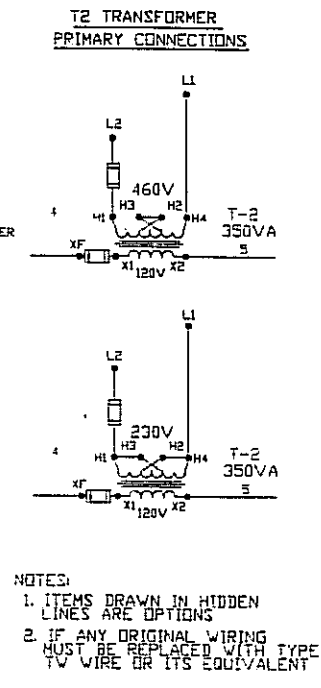
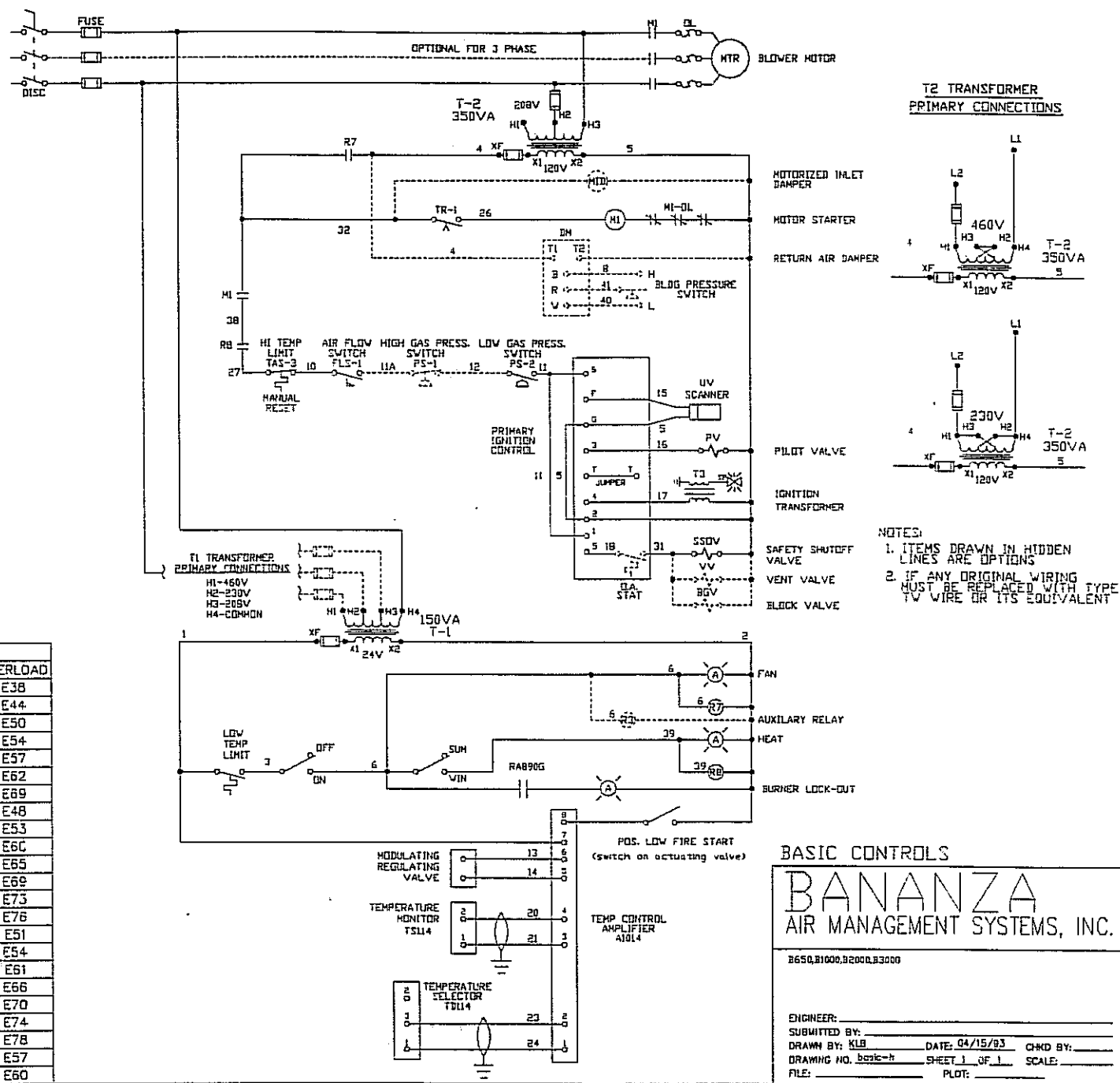


SYMBOL	DESCRIPTION
	MOTORIZED INLET DAMPER MOTOR
	NORMALLY OPEN CONTACTS
	NORMALLY CLOSED CONTACTS
	RELAY COIL
	MOTOR
	STARTER COIL
	PRESSURE ACTUATED SWITCH
	TEMPERATURE ACTUATED SWITCH
	FLOW SWITCH
	VALVE SOLENOID
	MANUAL SWITCH
	LIGHT
	TIME CLOCK
	SHIELDED CABLE
	TRANSFORMER
	SPARK IGNITER
	FUSE
	DAMPER MOTOR

MOTOR CHART						
VOLTS	HP	FRAME	FLA	FUSE	WIRE GA	OVERLOAD
460V	2	145T	3.1	6 1/2	14	E38
	3	182T	4.2	7	14	E44
	5	184T	6.8	12	14	E50
	7 1/2	213T	10.2	15	14	E54
	10	215T	13	20	12	E57
	15	254T	20	30	10	E62
230V 3Ø	2	145T	6.2	12	14	E48
	3	182T	8.4	15	14	E53
	5	184T	13.6	25	10	E6C
	7 1/2	213T	20.4	35	8	E65
	10	215T	26	40	8	E6E
	15	254T	40	60	6	E73
208V	2	145T	6.8	12	14	E51
	3	182T	9.3	17 1/2	12	E54
	5	184T	15	25	10	E61
	7 1/2	213T	22.6	35	8	E66
	10	215T	28.7	45	8	E70
	15	254T	44.2	70	6	E74
230V 1Ø	2	145T	12	17 1/2	12	E57
	3	182T	17	25	8	E60



NOTES:
 1. ITEMS DRAWN IN HIDDEN LINES ARE OPTIONS
 2. IF ANY ORIGINAL WIRING MUST BE REPLACED WITH TYPE TV WIRE OR ITS EQUIVALENT

BASIC CONTROLS

BANANZA

AIR MANAGEMENT SYSTEMS, INC.

B650, B1000, B2000, B3000

ENGINEER: _____
 SUBMITTED BY: _____
 DRAWN BY: KLB DATE: 04/15/83 CHKD BY: _____
 DRAWING NO. 8036-h SHEET 1 OF 1 SCALE: _____
 FILE: _____ PLOT: _____