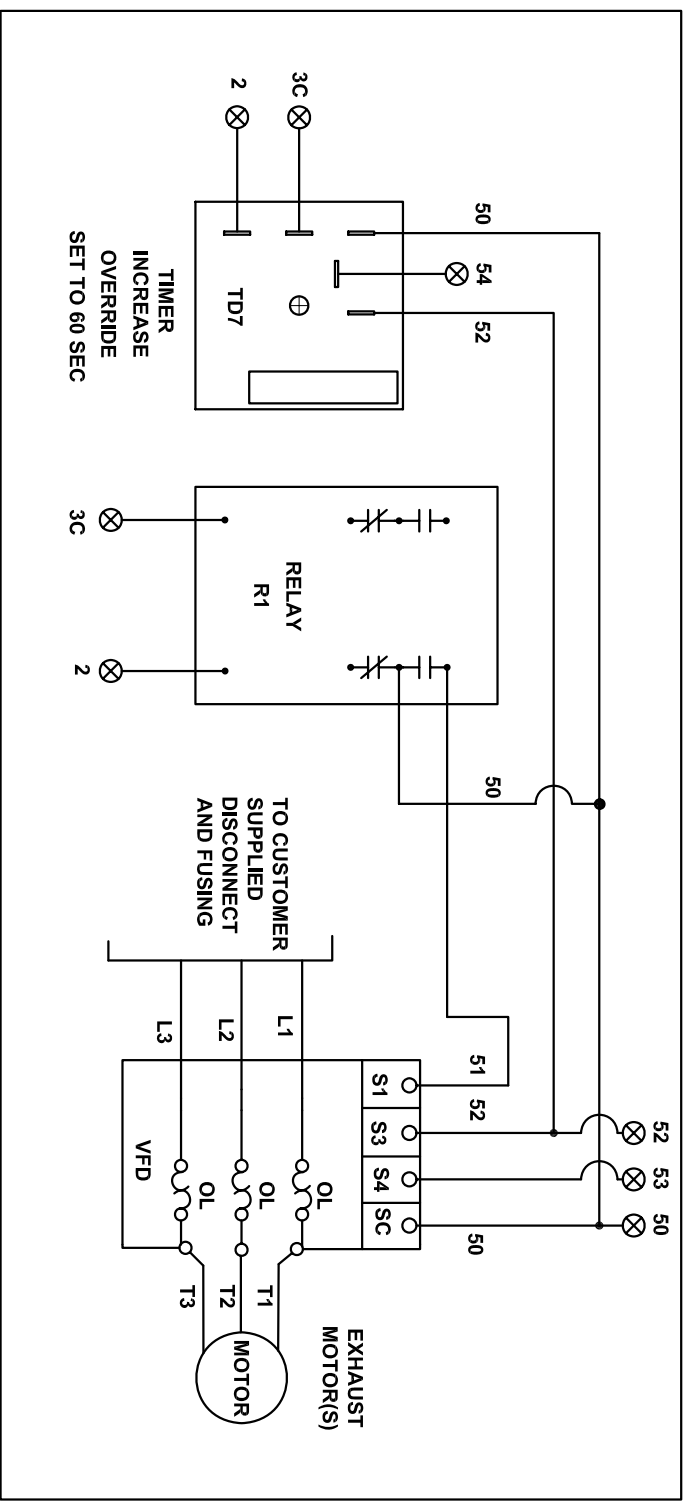
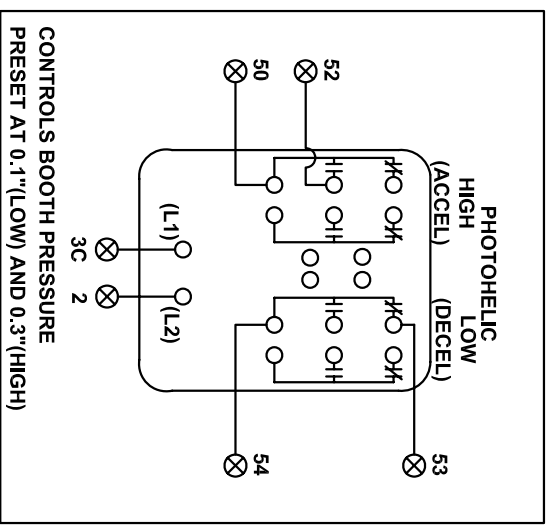


REVISION	ZONE	DESCRIPTION	DATE	DRWN	APVD
SHT2 SHT1	A	DRR-1529	MAR15.07	JM	-
-	B	DRR-1712	OCT.27.08	JM	-

LOCATED ON VFD PANEL INSIDE CONTROL ENCLOSURE



PHOTOHELIC LOCATED INSIDE SEPARATE REMOTE ENCLOSURE



CONTROLS BOOTH PRESSURE
PRESET AT 0.1"(LOW) AND 0.3"(HIGH)

PROGRAM PARAMETERS
 C1-01=20 ACCEL TIME (SEC)
 C1-02=20 DECEL TIME (SEC)
 d2-02=50% MINIMUM HZ (50%=30HZ)
 E1-05=MOTOR NAME PLATE VOLTS
 E2-01=MOTOR FULL LOAD AMPS
 H1-03=10, H1-04=11, L2-01=1, L5-01=5

WIRES CONNECTED TO CONTROL PANEL: 2, 3C

WIRES CONNECTED TO REMOTE PANEL CONTAINING PHOTOHELIC 50, 52, 53, 54 (MUST BE SHIELDED)

OPERATION:

BOOTH PRESSURE HIGH – VFD (EXHAUST) SPEEDS UP
 BOOTH PRESSURE LOW – VFD (EXHAUST) SLOWS DOWN

DESIGNED BY/DATE: J. MEECK FEB. 5, 07	DRAWN BY/DATE: BANNANZA	TITLE: YASKAWA J1000 VFD 7.5HP OR LESS PHOTOHELIC
TERMINALS AS NOTED UNLESS OTHERWISE SPECIFIED	REVIEWED BY/DATE:	SCALE: C
3 DECIMAL PLACES ±.02	APPROVED BY/DATE:	DWG. TYPE: ENG
ANGLES ±1°		LOCATION: B/FLO
DATE/REV./PAGE FINISH:		SHEET: 1 OF 1