

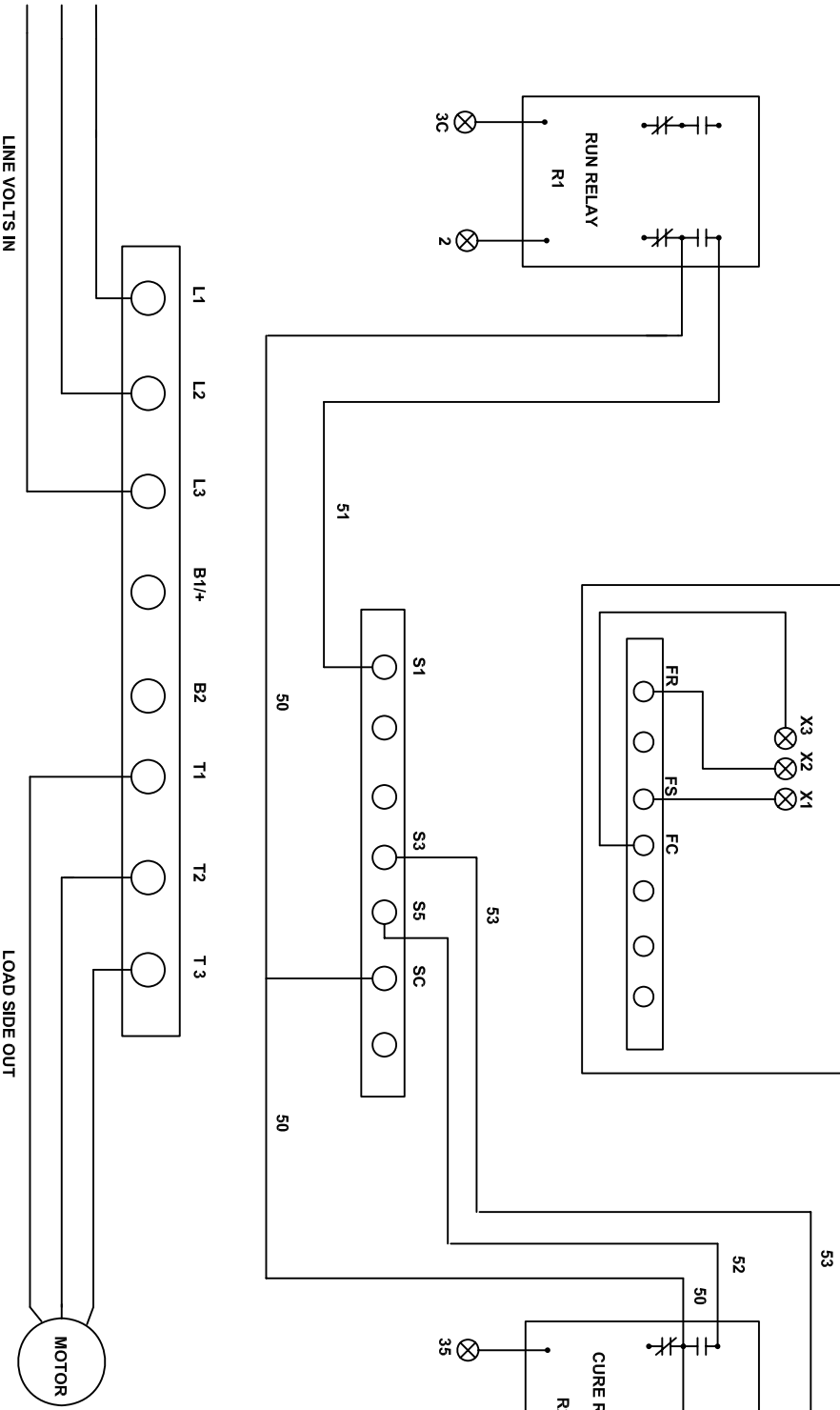
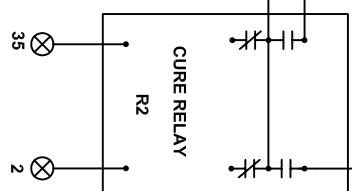
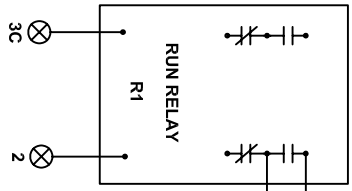
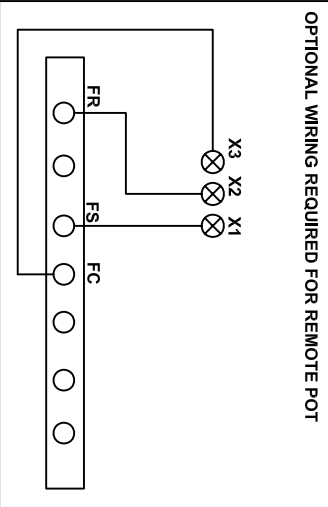
NEXT ASSEMBLY

WIRES CONNECTED TO CONTROL PANEL: 2, 3C, 3S

SHIELDED: X1, X2, X3 (WITH REMOTE POT ONLY)

WIRES GOING INTO VFD MUST BE SHIELDED AND ONE END GROUNDED

REVISION	ZONE	DESCRIPTION	DATE	DRWN	APPD
SHT 2	SHT 1	DRR-1479	FEB 5, 07	JM	SR
-	A	DRR-1516	FEB 22, 07	SR	
-	B	DRR-1529	MAR 15, 07	JM	



PROGRAM PARAMETERS

Rem Pot n03=2, n10=Max Volts (Name Plate +-10%) n32=MotorFLA
 n16=5, n17=7, n18=5, n19=100, n22=33, n37=11, n48=3
 WITH OUT REM., POT SET n03=0

DATE: FEB. 5, 07	DESIGNED BY: J. MCGOY	TITLE: YASKAWA J7 1 POT VFD
DATE: FEB. 5, 07	REVIEWED BY: J. MCGOY	SIZE: C
DATE: FEB. 5, 07	APPROVED BY: J. MCGOY	DWG. TYPE: ENG
DATE: FEB. 5, 07	APPROVED BY: J. MCGOY	SCALE: NONE
DATE: FEB. 5, 07	APPROVED BY: J. MCGOY	DWG. NUMBER: 06185
DATE: FEB. 5, 07	APPROVED BY: J. MCGOY	LOCATION: B/FLO
DATE: FEB. 5, 07	APPROVED BY: J. MCGOY	SHEET: 1 OF 1