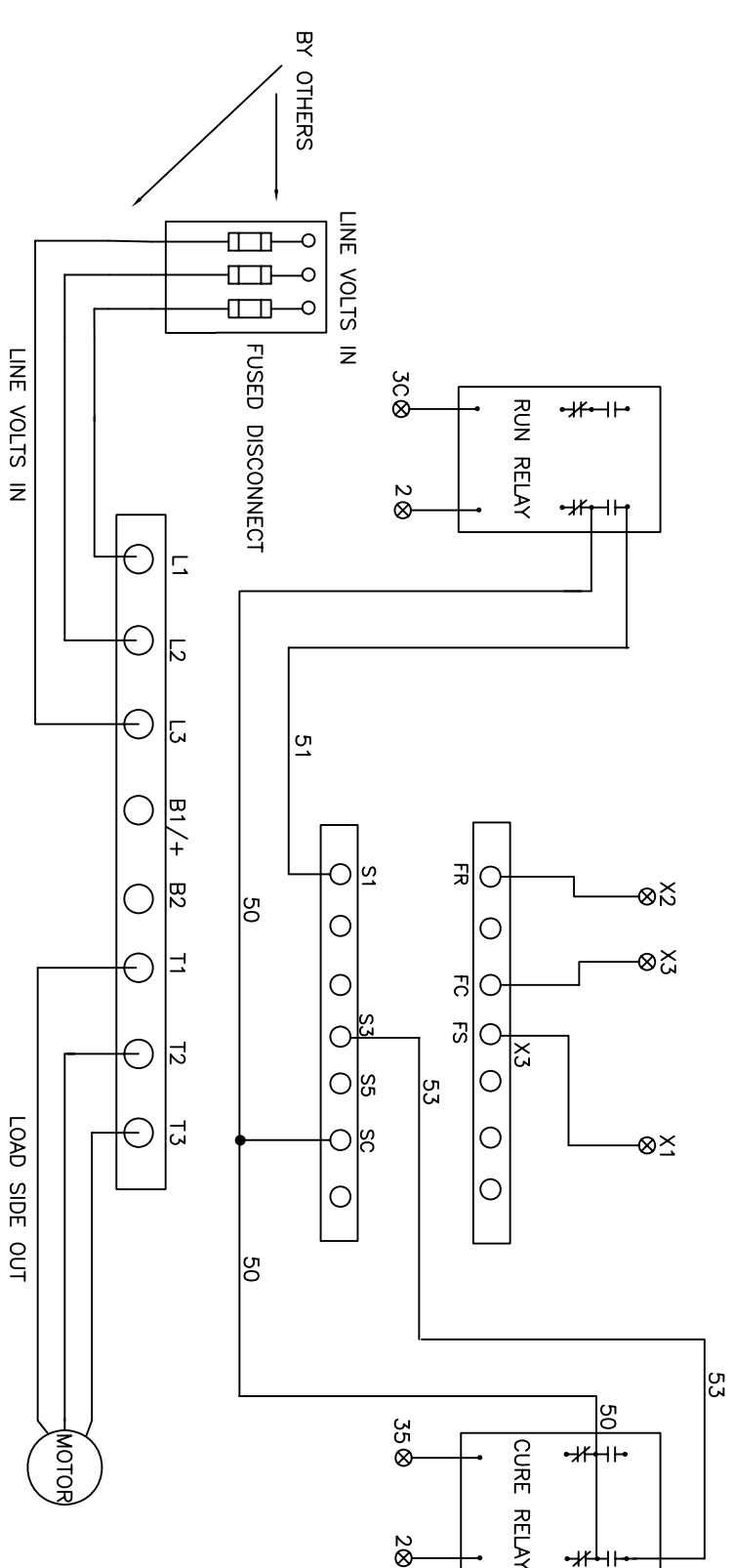


4	3	2	1
REVISION	ZONE	DESCRIPTION	DATE
SHT 2	SHT 1	DRR-1479	FEB 5, 07
-	A	DRR-1529	MAR 15, 07
APVD	DRWN	JIM	-

WIRES CONNECTED TO CONTROL PANEL: 2, 3C, 35
 SHIELDED: X1, X2, X3
 WIRES GOING INTO VFD MUST BE SHIELDED



PROGRAM PARAMETERS
 Rem Pot n03=2, n10=Max Volts (Name Plate +-10%) n32=MotorFLA,
 n16=5, n17=7, n18=50, n19=100, n31=45, n37=11, n47=1, n48=5
 WITH OUT REM.POT SET n03=0

DESIGNED BY/DATE:	1. MEC/CA	DRAWN BY/DATE:	FEB. 5, 07
CHECKED BY/DATE:		REVIEWED BY/DATE:	
TOLERANCES UNLESS OTHERWISE SPECIFIED		3 DECIMAL PLACES ±.02	
ANGLES ±1°		APPROVED BY/DATE:	
UNITS: DIMENSIONS IN INCHES		THIS DRAWING IS THE PROPERTY OF YASKAWA ELECTRIC AMERICA, INC. AND IS TO BE KEPT IN CONFIDENTIALITY.	
FINISH:		SCALE:	NONE
		DWG. TYPE:	ENG
		LOCATION:	B.F.L.O.
		SHEET:	1 OF 1
		REV:	A
TITLE:		YASKAWA J7 2 POT VFD	
SIZE:		C	
DRAWING NUMBER:		06186	