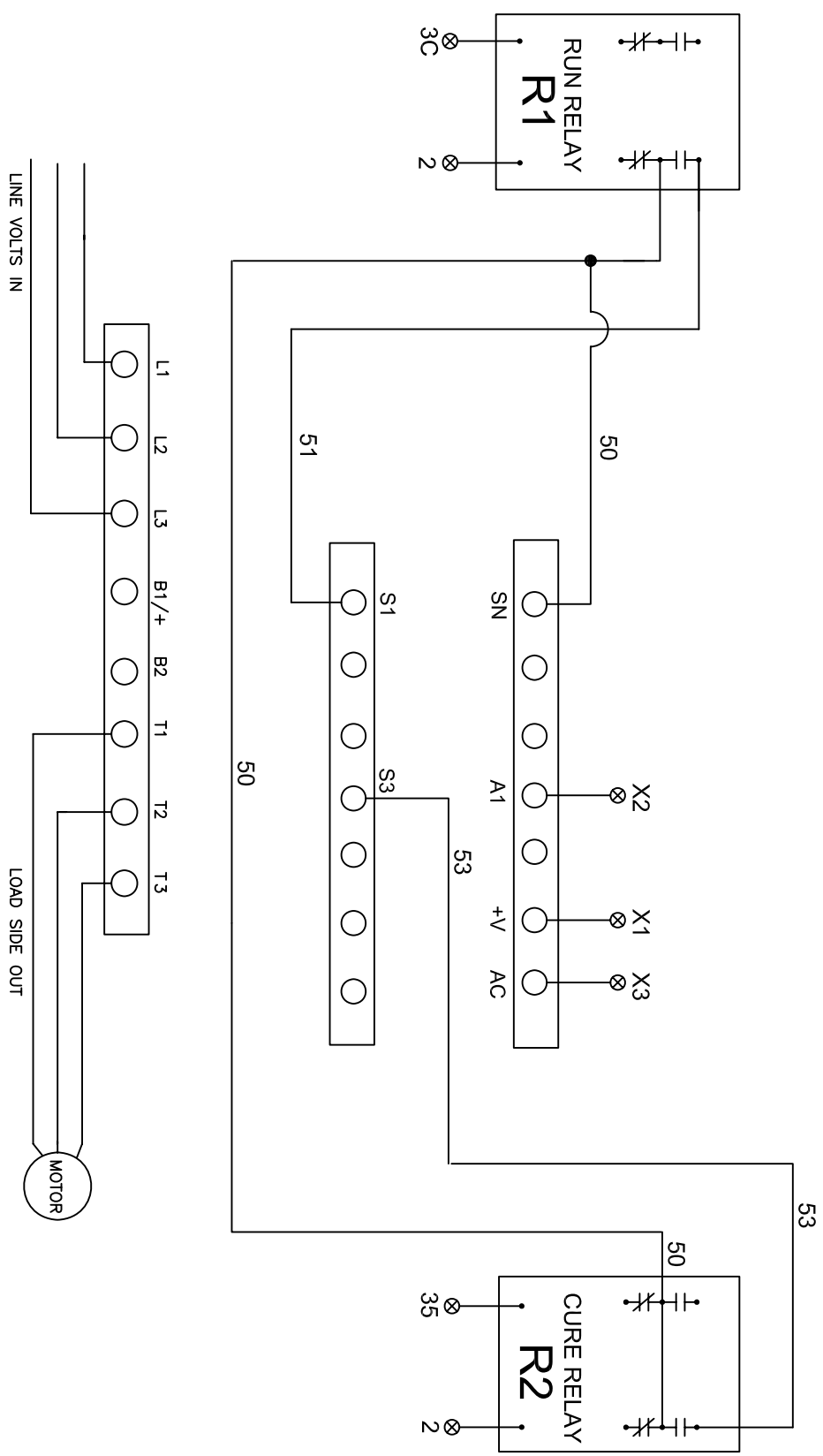


4	3	2	1
REVISION	ZONE	DESCRIPTION	DATE
SHT2	SHT1	DRR-1479	FEB.5,07
-	-	DRR-1529	MAR15,07
A	-	-	JM
			JM
			-

WIRES CONNECTED TO CONTROL PANEL: 2, 3C, 35
 SHIELDED: X1, X2, X3
 WIRES GOING INTO VFD MUST BE SHIELDED



PROGRAM PARAMETERS

A1-03=2220, C1-01=7 SEC, C1-02=10 SEC, C1-03=10 SEC
 C1-04=150 SEC, D2-02=50%, H1-01=7, H3-09=1F

UNLESS OTHERWISE SPECIFIED DIMENSIONS ARE IN INCHES TOLERANCES AS NOTED UNLESS OTHERWISE SPECIFIED 3 DECIMAL PLACES ±.015 ANGLES ±1° FINISH: -	DRAWN BY/DATE: J. MCCOY FEB. 5, 07 REVIEWED BY/DATE: APPROVED BY/DATE: THIS DRAWING IS THE PROPERTY OF YASKAWA AMERICA, INC. AND IS NOT TO BE REPRODUCED OR TRANSMITTED IN ANY FORM OR BY ANY MEANS, ELECTRONIC OR MECHANICAL, INCLUDING PHOTOCOPYING, RECORDING, OR BY ANY INFORMATION STORAGE AND RETRIEVAL SYSTEM, WITHOUT PERMISSION IN WRITING BY YASKAWA.	TITLE: YASKAWA P7 2 POT VFD 15HP OR MORE	SCALE: NONE SIZE: C DWG. TYPE: ENG DRAWING NUMBER: 06192 LOCATION: B/FLO SHEET: 1 OF 1
--	--	---	---