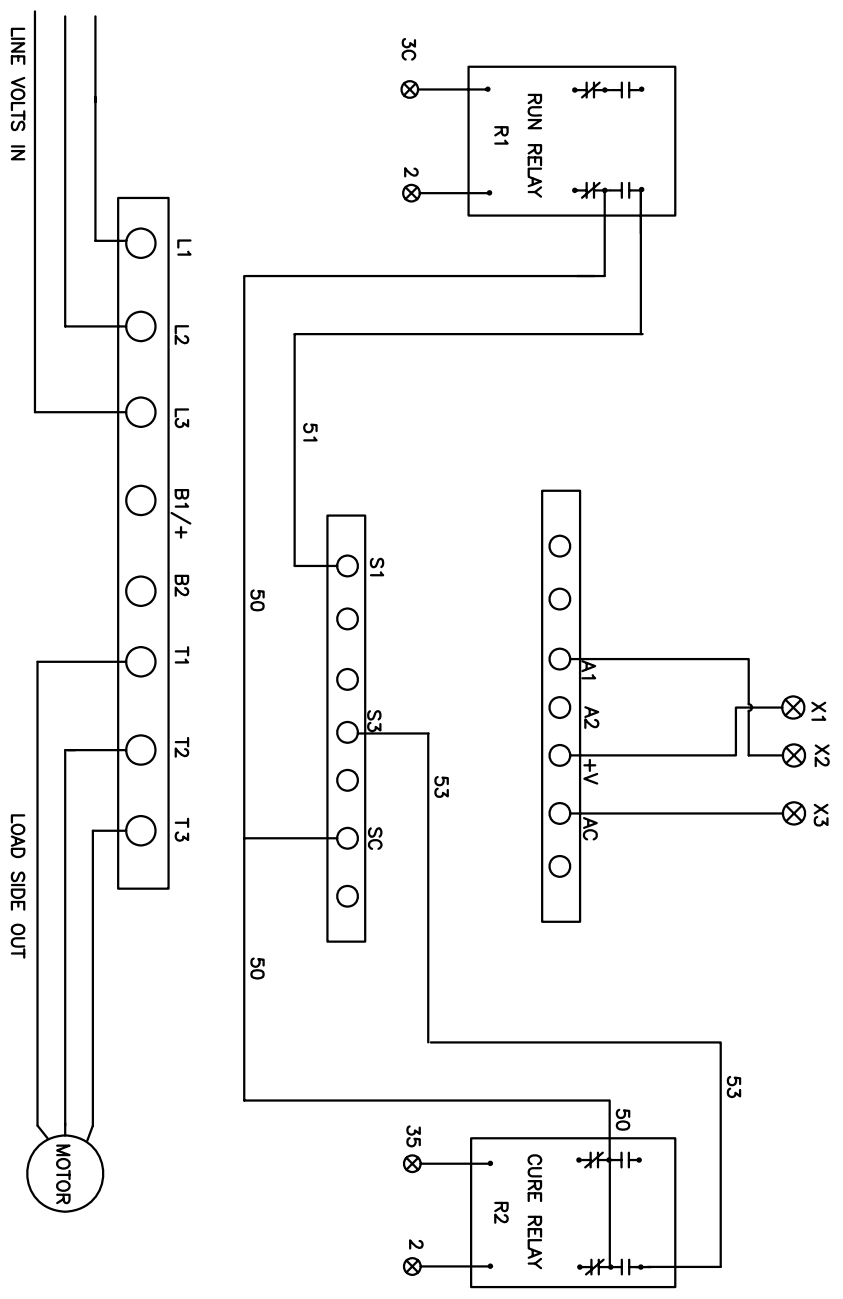


REVISION	ZONE	DESCRIPTION	DATE	DRWN	APP'D
SHT 2	SHT 1	DRR-1529	MAR15.07	JM	
-	B	DRR-1712	OCT.27.08	JM	
-	C	DRR-1736	FEB.3.09	KP	
-	D				

WIRES CONNECTED TO CONTROL PANEL: 2, 3C, 3S

SHIELDED: X1, X2, X3

WIRES GOING INTO VFD MUST BE SHIELDED AND ONE END GROUNDED



PROGRAM PARAMETERS  
 b1-01=1 WITH REMOTE POT  
 b1-01=0 WITHOUT REMOTE POT  
 c1-01=7.0 SPRAY ACCEL TIME (SEC)  
 c1-02=7.0 SPRAY DECEL TIME (SEC)  
 c1-03=1.0 CURE ACCEL TIME (SEC)  
 c1-04=1.00 CURE DECEL TIME (SEC)  
 d1-01=60 FREQUENCY REFERENCE  
 E1-05=MOTOR NAME PLATE VOLTS  
 E2-01=MOTOR FULL LOAD AMPS  
 H1-03=7, H1-05=6, H1-07=0F, L2-01=1, L5-01=5

DATE: FEB. 5, 07	DRAWN BY/DATE: J. MEECK	TITLE: BANVANZA
REVIEWED BY/DATE:	APPROVED BY/DATE:	SCALE: C
3 DECIMAL PLACES: ±.015	3 DECIMAL PLACES: ±.015	DWG TYPE: ENG
ANGLES ±1°	FINISH: -	LOCATION: B/FLO
THIS DRAWING IS THE PROPERTY OF BANVANZA. IT IS TO BE KEPT IN CONFIDENTIALITY AND NOT TO BE REPRODUCED OR TRANSMITTED IN ANY FORM OR BY ANY MEANS, ELECTRONIC OR MECHANICAL, INCLUDING PHOTOCOPYING, RECORDING, OR BY ANY INFORMATION STORAGE AND RETRIEVAL SYSTEM, WITHOUT THE WRITTEN PERMISSION OF BANVANZA.		DRAWING NUMBER: 06189 SHEET: 1 OF 1

