

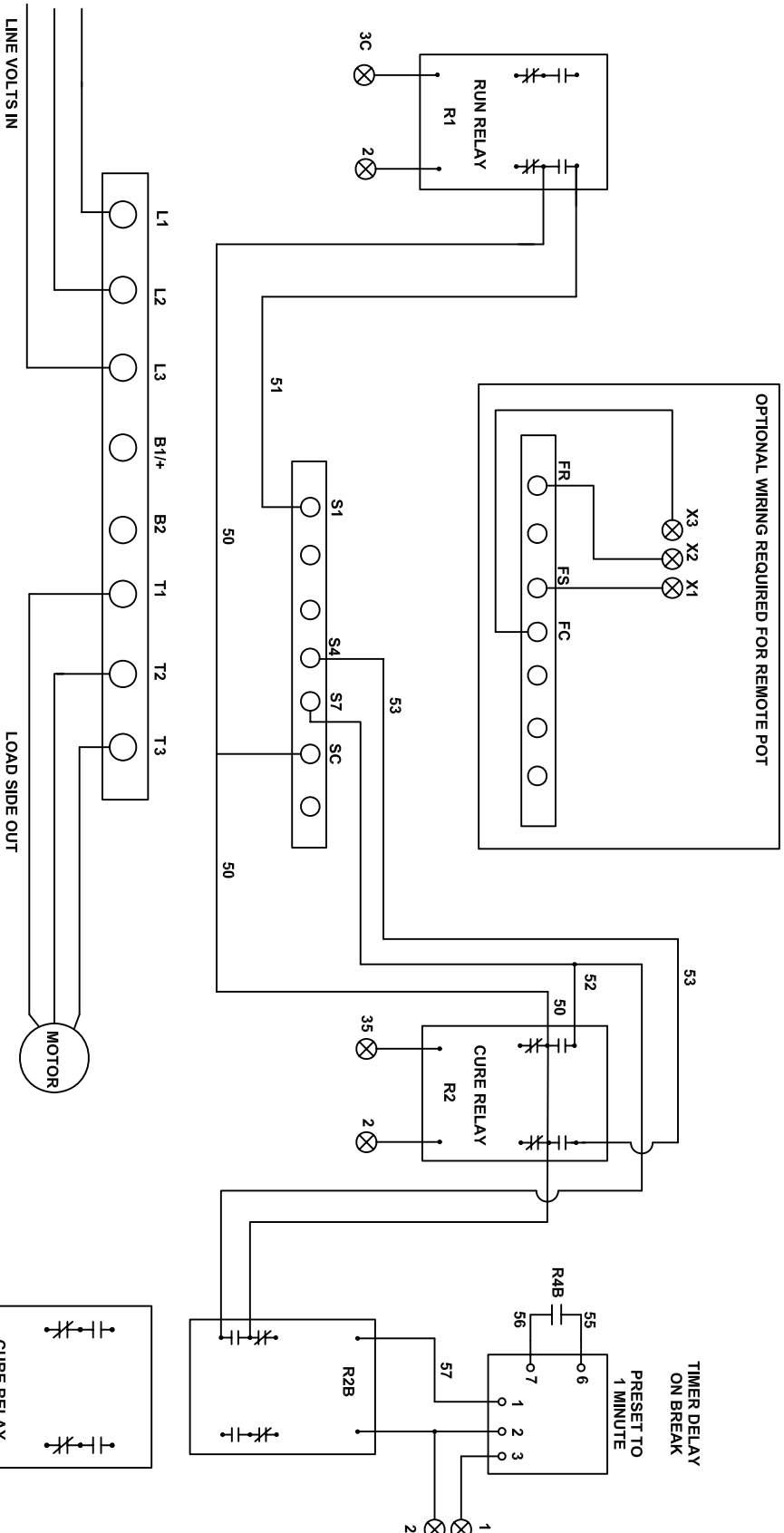
NEXT ASSEMBLY

WIRES CONNECTED TO CONTROL PANEL: 2, 3C, 3S

SHIELDED: X1, X2, X3 (WITH REMOTE POT ONLY)

WIRES GOING INTO VFD MUST BE SHIELDED AND ONE END GROUNDED

REVISION	ZONE	DESCRIPTION	DATE	DRWN	APPD
SHT2	SHT1	DRR-1479	FEB 5, 07	JM	SR
-	A	DRR-1516	FEB 22 07	SR	
-	B	DRR-1529	MAR15,07	JM	



PROGRAM PARAMETERS

NO. 001=3, 003=1, 012=V, 019=7.0, 020=10.0
 021=10.0, 022=100, 032=36.0, 036=AMPS, 053=11, 081=1, 082=5
 WITHOUT REMOTE POT SET NO. 004=0

DESIGNED BY / DATE: J. MEECOX FEB. 5, 07	DRAWN BY / DATE: J. MEECOX FEB. 5, 07	TITLES: YASKAWA V7 1 POT VFD 7.5 TO 10HP
TERMINALS AS NOTED UNLESS OTHERWISE SPECIFIED	REVIEWED BY / DATE:	SCALE: C
3 DECIMAL PLACES ±.02	APPROVED BY / DATE:	DWG. TYPE: ENG
ANGLES ±1°		LOCATION: B/FLO
FINISH: -		SHEET: 1 OF 1
THIS DRAWING IS COMPARTIAL UNLESS NOTED TO THE CONTRARY BY THE DRAWING ENGINEER OR OTHERWISE.		REV.: B