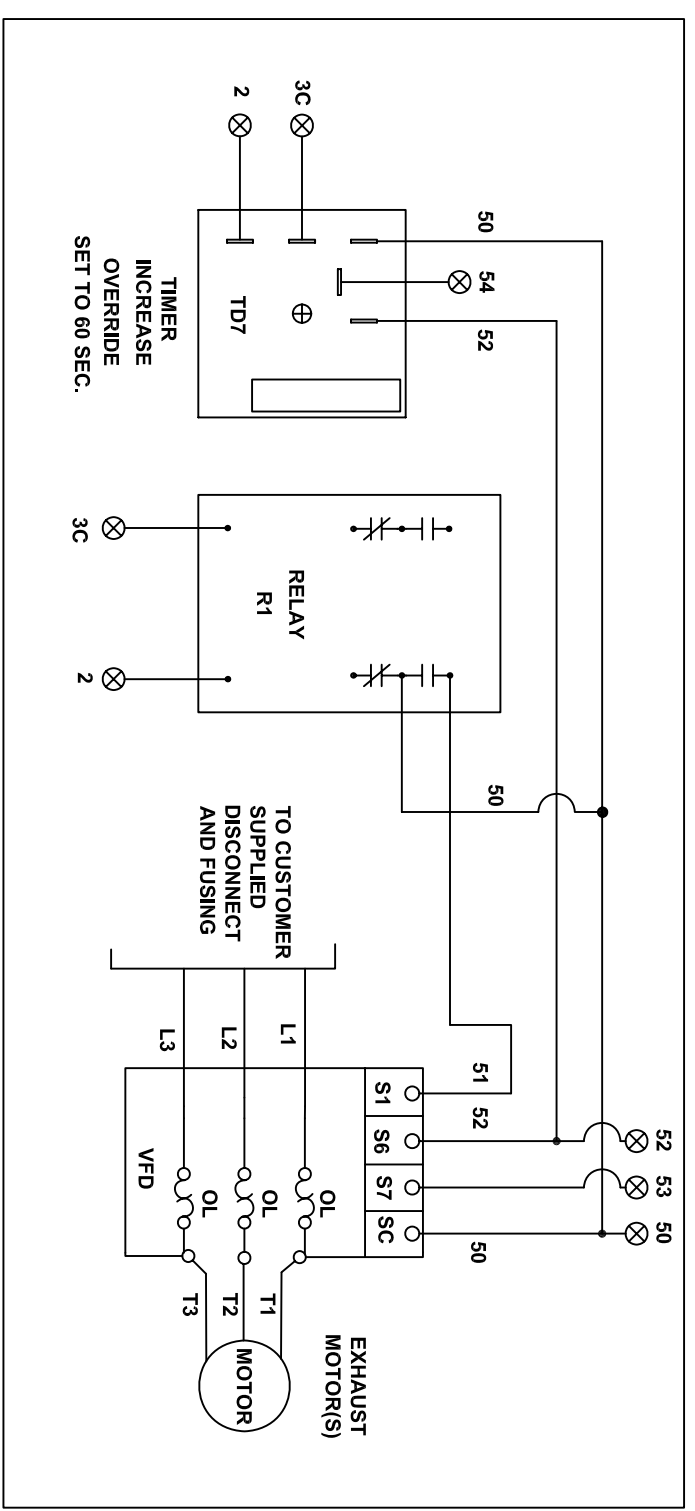
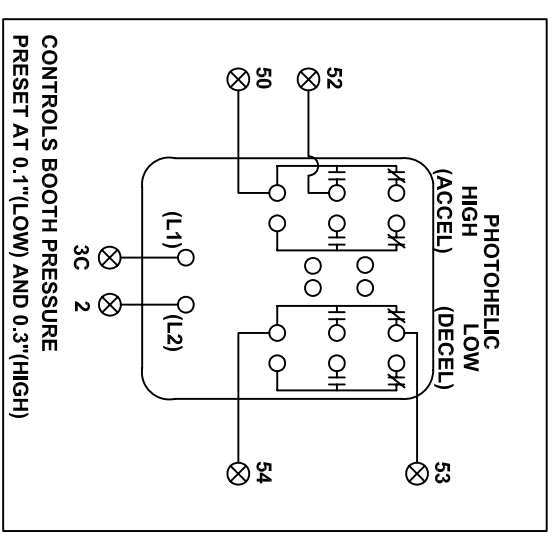


LOCATED ON VFD PANEL INSIDE CONTROL ENCLOSURE



PHOTOHELIC LOCATED INSIDE SEPARATE REMOTE ENCLOSURE



CONTROLS BOOTH PRESSURE
PRESET AT 0.1"(LOW) AND 0.3"(HIGH)

VFD PROGRAM PARAMETERS 7.5 TO 10HP
 001=3, 011=60, 019=25, 020=25,
 034=30, 056=34, 057=16, 100=1

REVISION	ZONE	DESCRIPTION	DATE	DRWN	APVD
SHT2 SHT1	-	DRR-1516	FEB 5,07	JM	-
-	A	DRR-1529	MAR15,07	JM	-

OPERATION:
 BOOTH PRESSURE HIGH - VFD (EXHAUST) SPEEDS UP
 BOOTH PRESSURE LOW - VFD (EXHAUST) SLOWS DOWN

WIRES CONNECTED TO CONTROL PANEL: 2, 3C
 WIRES CONNECTED TO REMOTE PANEL CONTAINING
 PHOTOHELIC 50, 52, 53, 54 (MUST BE SHIELDED)

DESIGNED BY/DATE: J. MEECOX FEB. 5, 07	DRAWN BY/DATE: J. MEECOX FEB. 5, 07	TITLE: YASKAWA V7 7.5 TO 10HP PHOTOHELIC
TECHNICALS AS NOTED UNLESS OTHERWISE SPECIFIED	REVIEWED BY/DATE:	SCALE: C
3 DECIMAL PLACES ± 0.02	APPROVED BY/DATE:	DWG. TYPE: ENG
ANGLES ± 1°		DRAWING NUMBER: 06196
FINISH: -		LOCATION: B/FLO
		SHEET: 1 OF 1