

# CORAYVAC® AND COMPLETE™ MODULATING HEATING CONTROL

Modulation, Zoning  
and Building  
Automation Systems



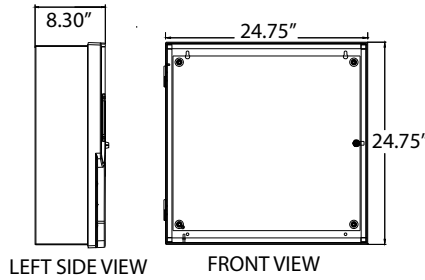
## Enhanced Controls for Increased Energy Efficiency

- CORAYVAC® Modulating Heating control provides additional fuel savings by measuring outdoor air temperature to match system input to the building heat-loss
- Capable of operating up to two heating systems and four heating zones
- Total heating system management through touchscreen, off-site connectivity, or pre-programmed thermostats
- Durable enclosures for increased longevity

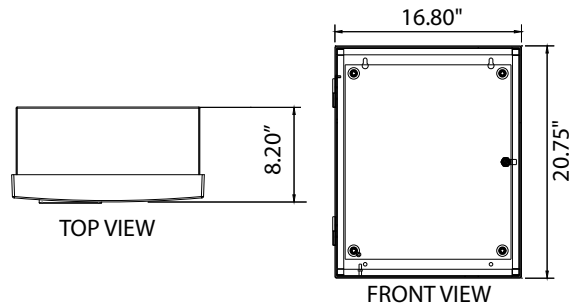
800.828.7450

www.robertsgordon.com

# ROBERTS GORDON® THE EXCLUSIVE PRODUCER OF CORAYVAC™



**CORAYVAC® MODULATING HEATING CONTROL**  
[70 lbs.] [31.7 kg.]



**COMPLETE™ MODULATING HEATING CONTROL**  
[40 lbs.] [18.1 kg.]

MODULATING HEATING CONTROLS	
<b>Controller Electrical Rating</b>	120 V (+/- 10%) 1ø, 60Hz, 20 Amps (controller ONLY, VFD powered separate of controller)
<b>Construction</b>	14 gauge powder coated steel, hinged door, removable knockouts
<b>Control Board Operating Temperature Range</b>	-20 °F to 140 °F (-29° to 60°C); 10 to 95% relative humidity, non-condensing
<b>Zoning Capabilities</b>	Up to 4 Zones per controller Up to 2 ROBERTS GORDON® infrared heating systems (Any combination of CORAYVAC® system(s), or unitary heater(s)) per controller
<b>Status Indication</b>	6 - visual (LED) status of power to 4 - zones and 2 - systems
<b>Listing</b>	
<b>Enclosure</b>	508A, UL Type 1
<b>Control Board</b>	UL-916 (Canadian Std C22.2 No. 205-M1983), CE, FCC Part 15-Subpart B - Class A. BTL (BACnet Test Labs) - BACnet Building Controller (B-BC) - BTL Listed Product <a href="http://www.bacnetinternational.net/btl/index.php?m=47">http://www.bacnetinternational.net/btl/index.php?m=47</a>
<b>Touchscreen</b>	
<b>Display</b>	4.3 in. resistive touchscreen color LCD display with backlighting
<b>Real-Time Clock</b>	A 365-day real time clock/calendar chip
<b>Listing</b>	C UL US Listed 88F0, E143900, Type 1304TS
<b>Communication Ports</b>	
<b>Port 1</b>	Configurable for ARC156 or EIA-485 (2-wire). Built-in support for BACnet (MS/TP or ARC156), N2, and Modbus
<b>Port 2a</b>	Configurable for EIA-232 or EIA-485 (2-wire or 4-wire). Network protocol selectable for BACnet (MS/TP or PTP), Modbus, N2, LonWorks SLTA, or modem
<b>Port 2b</b>	For LonWorks option Card. Rnet port: Interface with a BACview5, BACview6, RS sensors, or local laptop and Equipment Touch
<b>Battery</b>	CR123A, 10 year life, 720 cumulative hours of power outage. <b>NOTE:</b> Battery for time keeping purposes and saving trend data during power outages.
<b>Universal Inputs</b>	Twelve universal inputs: 0-5 VDC; 0-10 VDC; 0-20 mA; Thermistor (10k ohm type II); 1K ohm RTD; Dry Contact
<b>Universal Outputs</b>	Eight universal outputs: 0-10 VDC; 0-20 mA; Relay; HOA (hand/off/auto) switches for all outputs
<b>Analog Outputs</b>	6 analog outputs; AO's 1 and 2 are configurable for 0-10 V or 0-20 mA; AO's 3 through 6 are 0-10 V only
<b>Optional Card Port</b>	Port 2b: LonWorks Option Card for connection to Free Topology LON networks (TP/FT-10 chan.)
<b>Protocols</b>	<ul style="list-style-type: none"> <li>• BACnet over ARC156</li> <li>• BACnet MS/TP</li> <li>• BACnet PTP</li> <li>• BACnet over IP</li> <li>• BACnet over Ethernet</li> <li>• Modbus</li> <li>• N2</li> <li>• LonWorks (LonWorks card required)</li> </ul>
<b>Temperature Units</b>	°F
<b>VFD Electrical Rating</b>	1HP VFD, 115V, 60Hz, 1ø, 4.3A 1HP VFD, 230V, 60Hz, 1ø, 4.3A 2HP VFD, 230V, 60Hz, 1ø, 7A 1HP VFD, 460V, 60Hz, 3ø, 2.2A 2HP VFD, 460V, 60Hz, 3ø, 4.1A 1HP VFD, 230V, 60Hz, 3ø, 4.3A 2HP VFD, 230V, 60Hz, 3ø, 7A (VFD ONLY, Controller powered separate of VFD)

**Roberts-Gordon, LLC**  
1250 William Street  
P.O. Box 44  
Buffalo, NY 14240-0044 USA  
Telephone: 716.852.4400  
Fax: 716.852.0854  
Toll Free: 800.828.7450  
[www.robertsgordon.com](http://www.robertsgordon.com)

**Further Information:** Applications, engineering and detailed guidance on systems design, installation and product performance is available through ROBERTS GORDON® representatives. Please contact us for any further information you may require, including the Installation, Operation and Service Manual.

**This product is not for residential use.**  
**This document is intended to assist licensed professionals in the exercise of their professional judgement.**

© 2019 Roberts-Gordon, LLC All rights reserved. No part of this work covered by the copyrights herein may be reproduced or copied in any form or by any means – graphic, electronic, or mechanical, including photocopying, recording, taping, or information storage and retrieval systems – without written permission of Roberts-Gordon, LLC.