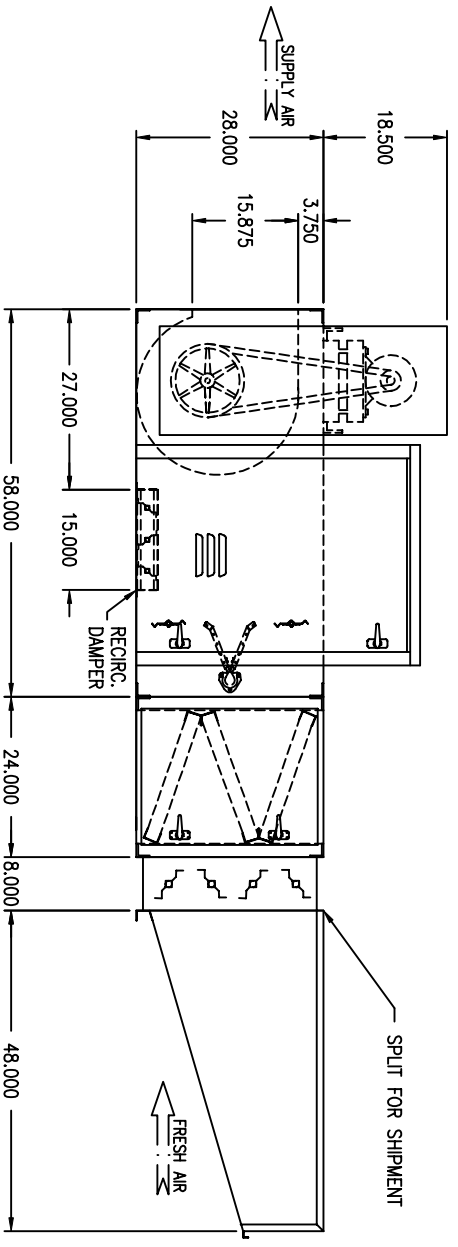


BLOWER / BURNER HEAT SECTION      V-BANK FILTER SECTION      INLET DAMPER      FRESH AIR HOOD



**MODEL**  
AirRite TT Series 115 HHL Outdoor

**STANDARD FEATURES**

TESTED TO ANSI Z83.4 & Z83.18  
MAXITROL TEMPERATURE CONTROL SYSTEM  
ELECTRONIC FLAME SUPERVISION  
FACTORY TESTED  
16 GAUGE CRS CASING  
(1) 15" DWI FORWARD CURVED BLOWER  
UNIT MTD CONTROL MODULE  
LUBRICATED BEARINGS W/ ZIRK FITTINGS  
BELT GUARD (PER OSHA STANDARDS)  
AIR PROVING SWITCH  
AIR INLET SCREEN (OUTDOOR UNITS ONLY)  
INDUSTRIAL ENAMEL EXTERIOR FINISH  
HEAT & RUST RESISTANT INTERIOR FINISH  
ADJUSTABLE BURNER PROFILE DAMPERS  
MIDCO BURNER

IF CURB IS REQUIRED:  
2" x 2" CURB ANGLE WILL BE ADDED TO BASE OF UNIT

PRELIMINARY

**NOTE:**  
1.) DRAWING IS NOT TO SCALE.  
2.) THIS SUBMITTAL ONLY APPLICABLE TO DIRECT FIRED BURNER.  
3.) DUE TO SHIPPING REQUIREMENTS, SOME ELECTRICAL RECONNECTION MAY BE REQUIRED.

**WEATHER-RITE**  
HEATING AND VENTILATION, INC.