

REV	DESCRIPTION	DATE	BY
A	REVISED NOTE FOR MOUNTING STAND	9/14/05	KA
B	CHANGED MODEL TO ARTT	10/17/07	AN

MODEL
ARTT 118 VTL INDOOR/OUTDOOR

(SEE SUBMITTAL COVER SHEET FOR UNIT SPECIFICATIONS)

STANDARD FEATURES

TESTED TO ANSI Z83.4 OR Z83.18
MAXITROL TEMPERATURE CONTROL SYSTEM
ELECTRONIC FLAME SUPERVISION
FACTORY TESTED
16 GAUGE CRS CASING
(1) 18" DWDI FORWARD CURVED BLOWER
UNIT MTD CONTROL MODULE
LUBRICATED BEARINGS W/ ZIRK FITTINGS
BELT GUARD
AIR PROVING SWITCH
AIR INLET SCREEN (OUTDOOR UNITS ONLY)
INDUSTRIAL ENAMEL EXTERIOR FINISH
HEAT & RUST RESISTANT INTERIOR FINISH
ADJUSTABLE BURNER PROFILE DAMPERS
MIDCO BURNER

"A"	"B"	GAS TRAIN SIZE
16.188	33.000	2"
16.188	33.000	1", 1-1/4", 1-1/2"
36.310	42.000	2-1/2", 3"

WEATHER-RITE LLC

REVISION
B

DRAWN BY:

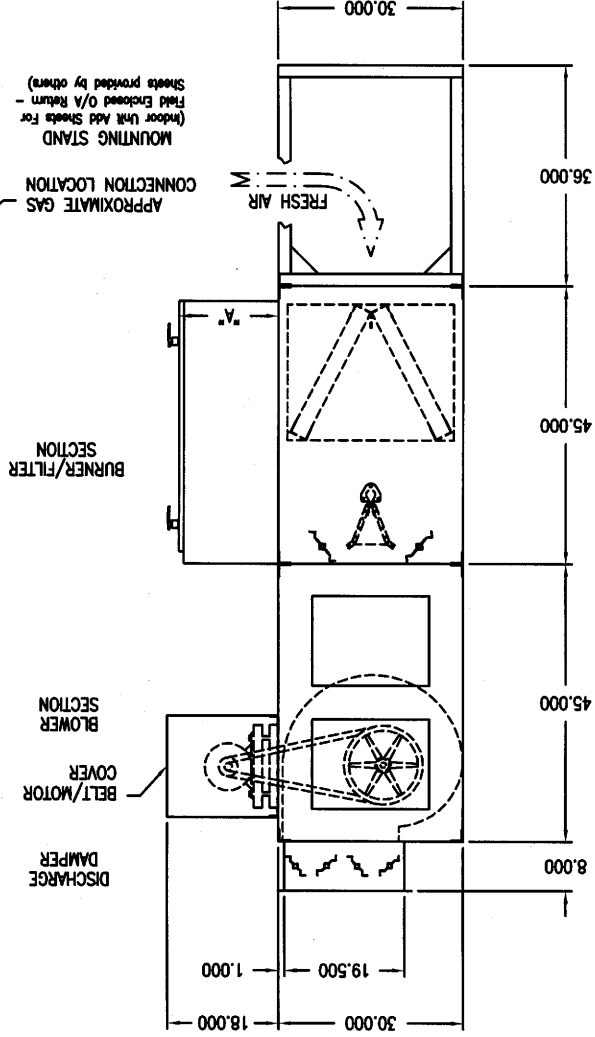
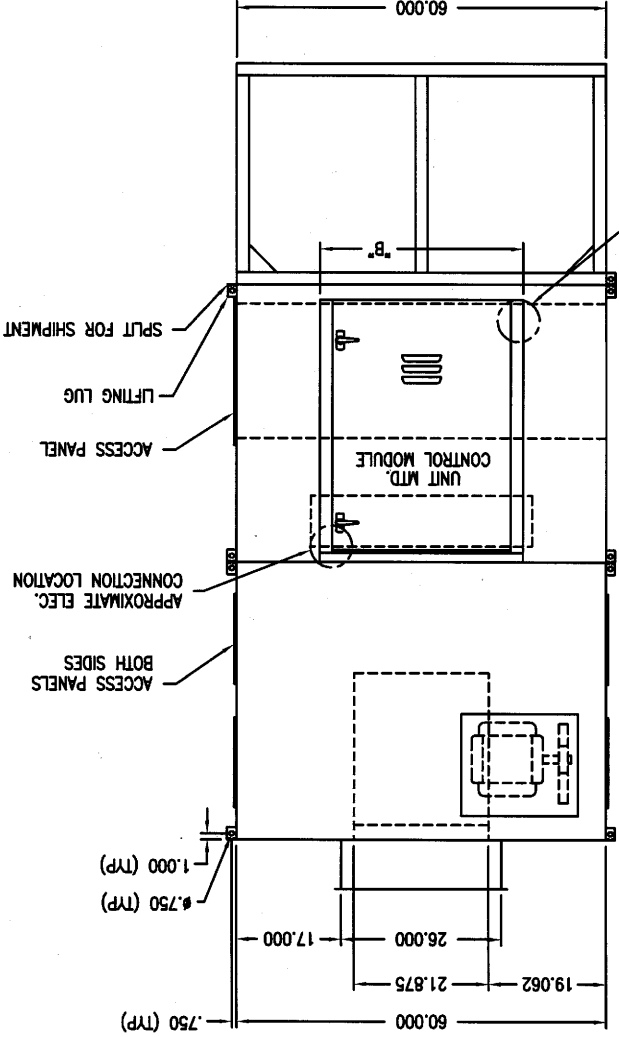
JL

DATE:
5/13/05

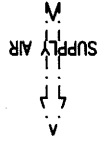
INSTALLATION
DIMENSIONS

C-336301-11

SHEET 1 OF 1



(Indoor Unit Add Sheets For Field Enclosed O/A Return - Sheets provided by others)



NOTES:
1) DRAWING IS NOT TO SCALE
2) THIS SUBMITTAL ONLY APPLICABLE TO DIRECT FIRED BURNER.
3) DUE TO SHIPPING REQUIREMENTS, SOME ELECTRICAL RECONNECTION MAY BE REQUIRED.