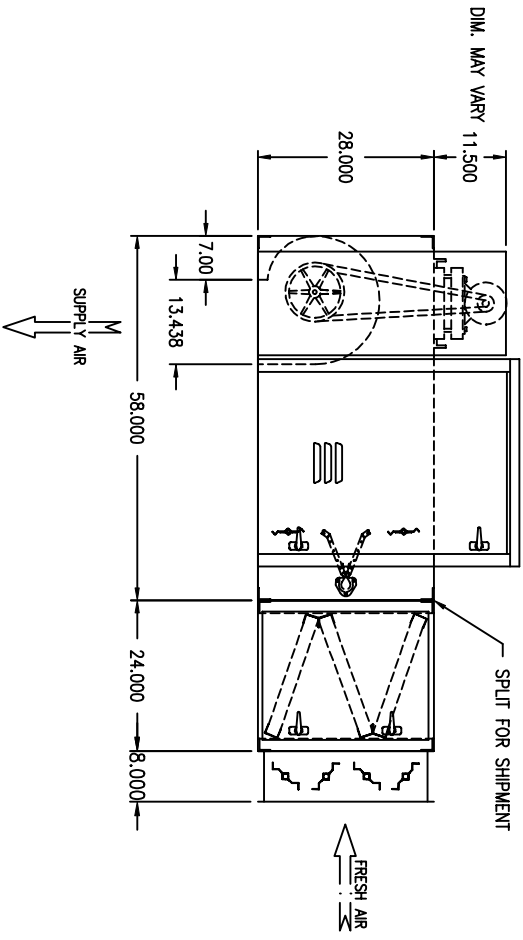


BLOWER/BURNER HEAT SECTION  
 V-BANK FILTER SECTION  
 MOTORIZED INLET DAMPER



**MODEL**  
 AirRite TT Series 212 HBL Indoor

**STANDARD FEATURES**

TESTED TO ANSI Z83.4 & Z83.18  
 MAXITROL TEMPERATURE CONTROL SYSTEM  
 ELECTRONIC FLAME SUPERVISION  
 FACTORY TESTED  
 16 GAUGE CRS CASING  
 (2) 12" DWI FORWARD CURVED BLOWER  
 UNIT MTD CONTROL MODULE  
 LUBRICATED BEARINGS W/ ZIRK FITTINGS  
 BELT GUARD (PER OSHA STANDARDS)  
 AIR PROVING SWITCH  
 AIR INLET SCREEN (OUTDOOR UNITS ONLY)  
 INDUSTRIAL ENAMEL EXTERIOR FINISH  
 HEAT & RUST RESISTANT INTERIOR FINISH  
 ADJUSTABLE BURNER PROFILE DAMPERS  
 MIDCO BURNER

PRELIMINARY

**NOTE:**  
 1.) DRAWING IS NOT TO SCALE.  
 2.) THIS SUBMITTAL ONLY APPLICABLE TO DIRECT FIRED BURNER.  
 3.) DUE TO SHIPPING REQUIREMENTS, SOME ELECTRICAL RECONNECTION MAY BE REQUIRED.

**WEATHER-RITE**  
 HEATING AND VENTILATION, INC.