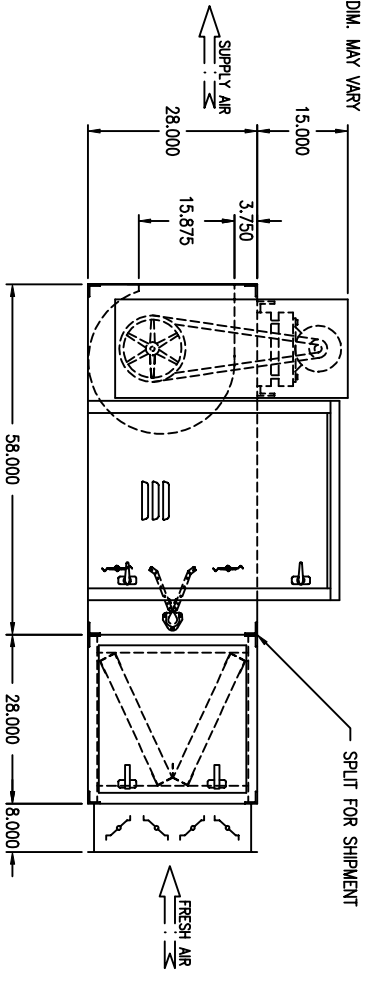


BLOWER / BURNER HEAT SECTION      FILTER SECTION      MOTORIZED INLET DAMPER



- NOTE:**
- 1.) DRAWING IS NOT TO SCALE.
  - 2.) THIS SUBMITTAL ONLY APPLICABLE TO DIRECT FIRED BURNER.
  - 3.) DUE TO SHIPPING REQUIREMENTS, SOME ELECTRICAL RECONNECTION MAY BE REQUIRED.

**MODEL**  
 AirRite TT Series 215 HHL Indoor

**STANDARD FEATURES**

TESTED TO ANSI Z83.4 & Z83.18  
 MAXITROL TEMPERATURE CONTROL SYSTEM  
 ELECTRONIC FLAME SUPERVISION  
 FACTORY TESTED  
 16 GAUGE CRS CASING  
 (2) 15" DWI FORWARD CURVED BLOWER  
 UNIT MTD CONTROL MODULE  
 LUBRICATED BEARINGS W/ ZIRK FITTINGS  
 BELT GUARD (PER OSHA STANDARDS)  
 AIR PROVING SWITCH  
 AIR INLET SCREEN (OUTDOOR UNITS ONLY)  
 INDUSTRIAL ENAMEL EXTERIOR FINISH  
 HEAT & RUST RESISTANT INTERIOR FINISH  
 ADJUSTABLE BURNER PROFILE DAMPERS  
 MIDCO BURNER

PRELIMINARY

**WEATHER-RITE**  
 HEATING AND VENTILATION, INC.