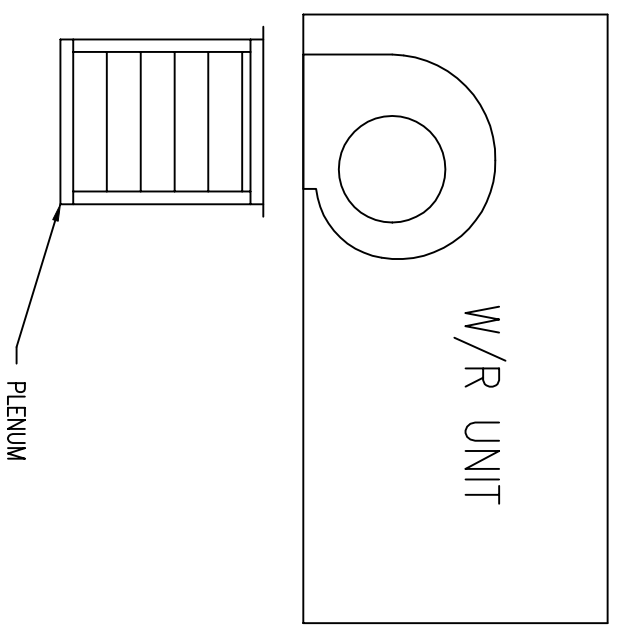
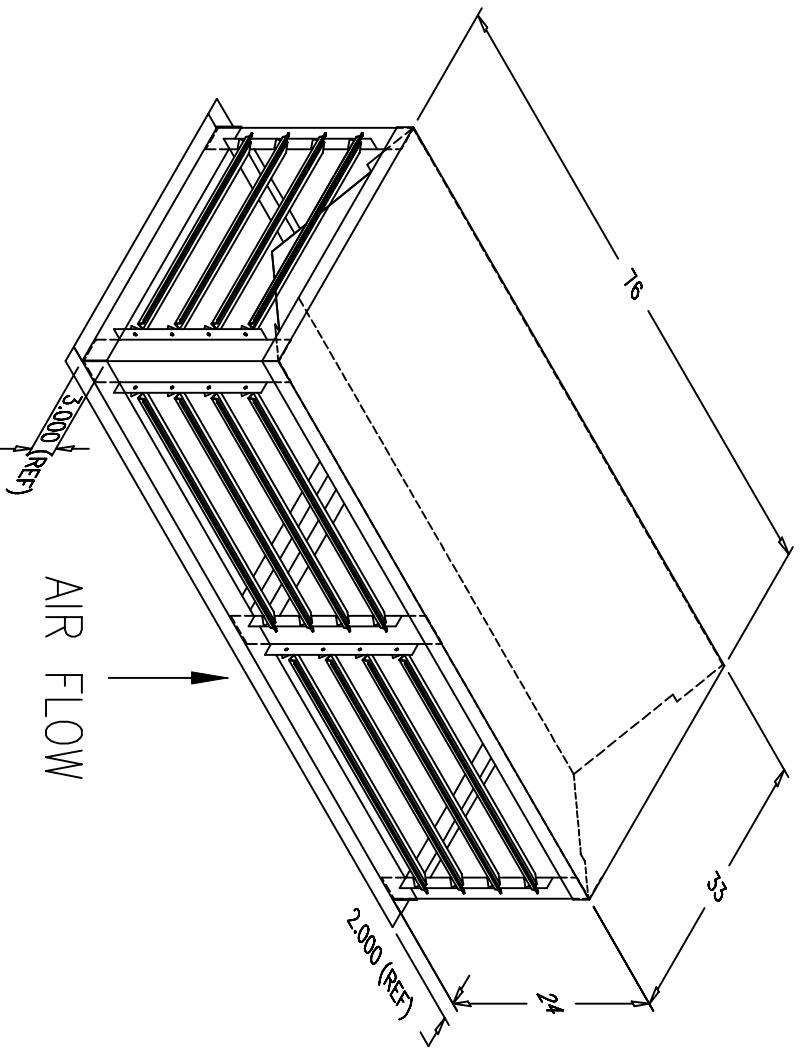


ASSY, DISCH PLENUM 4-WAY
AirRite TT Series
Model 221

NOTE: USE DISCHARGE DAMPER ON STATIC PRESSURE
CHART WHEN CALCULATING SYSTEM PRESSURE DROPS.



PRELIMINARY

WORTHINGTON INC.

NOTE:
1.) DRAWING IS NOT TO SCALE.