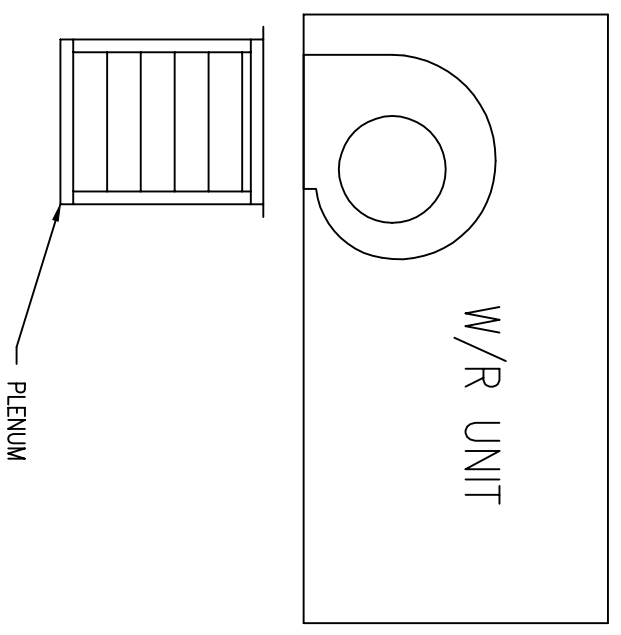
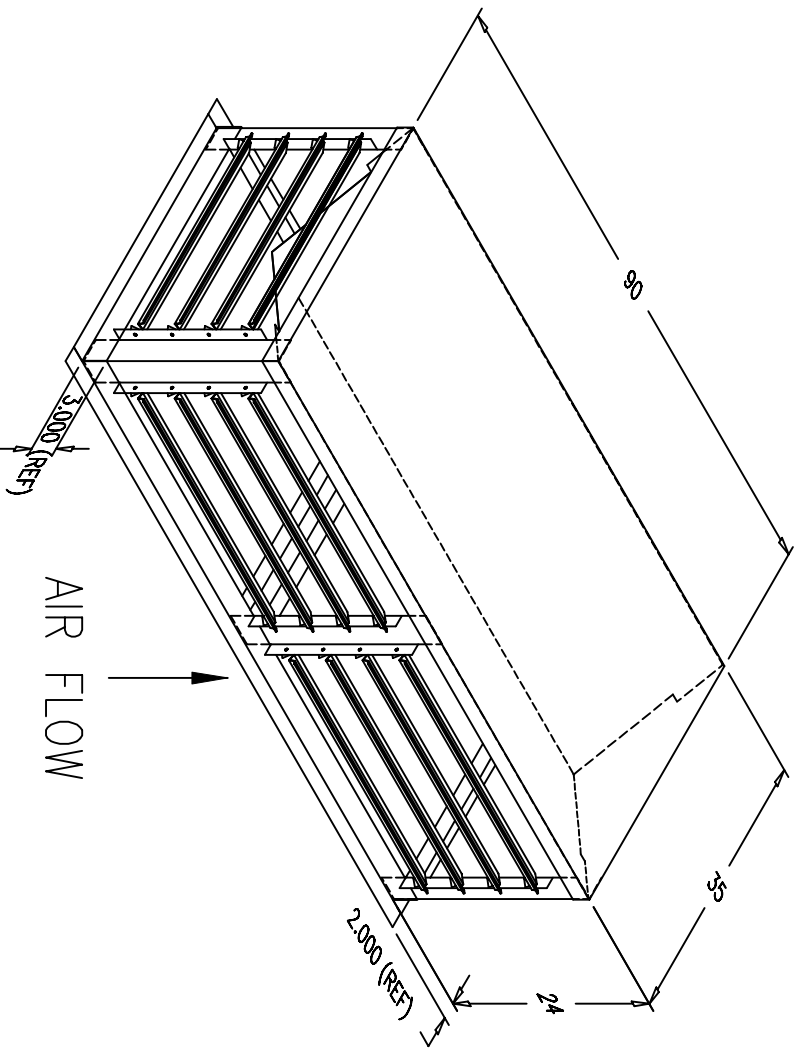


ASSY, DISCH PLENUM 4-WAY  
AirRite TT Series  
Model 224

NOTE: USE DISCHARGE DAMPER ON STATIC PRESSURE  
CHART WHEN CALCULATING SYSTEM PRESSURE DROPS.



PRELIMINARY

*Wentholp-Rite Inc.*

NOTE:  
1.) DRAWING IS NOT TO SCALE.