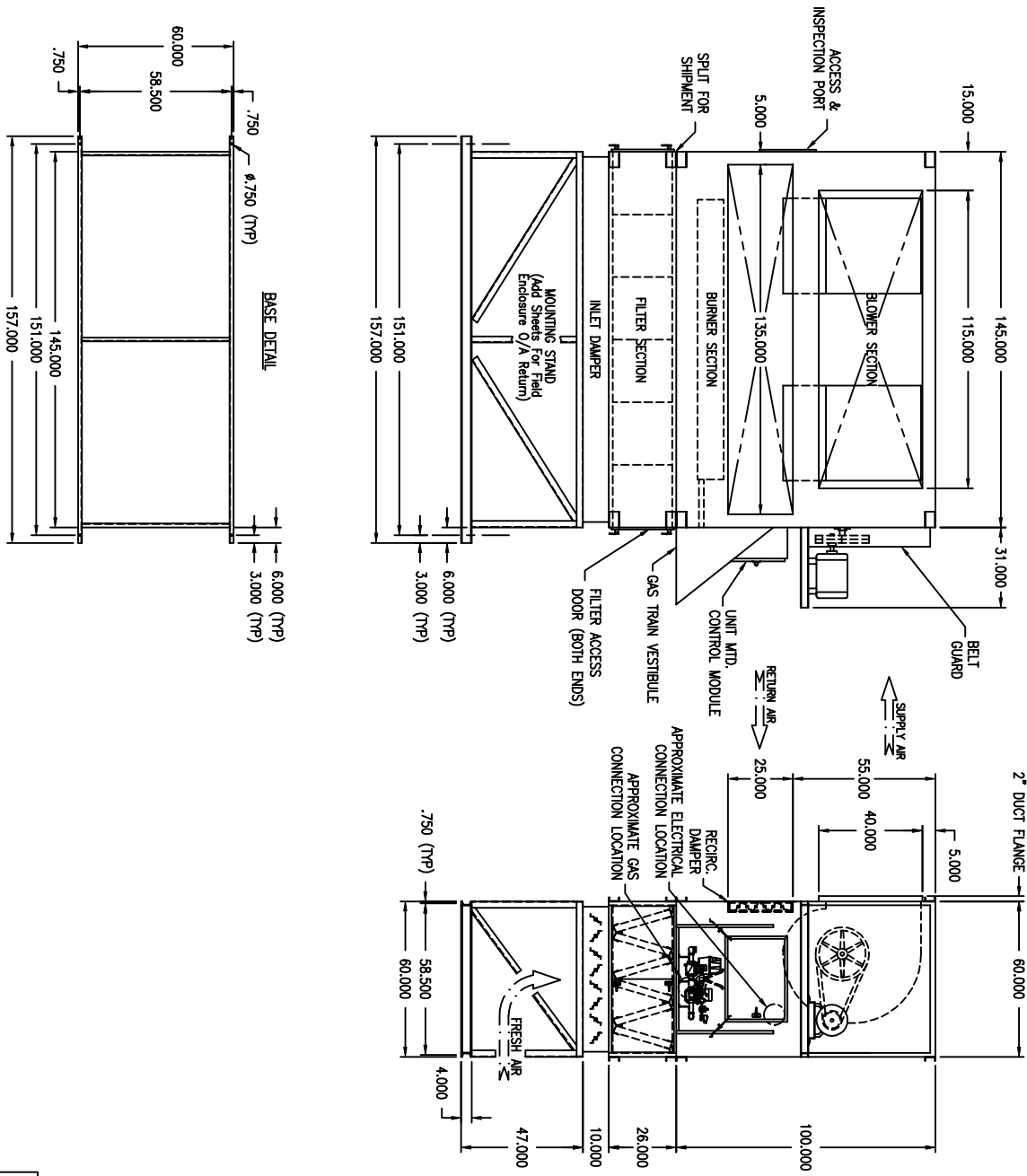


- NOTE:  
 1.) DRAWING IS NOT TO SCALE.  
 2.) THIS SUBMITTAL ONLY APPLICABLE TO DIRECT FIRED BURNER.  
 3.) DUE TO SHIPPING REQUIREMENTS, SOME ELECTRICAL RECONNECTION MAY BE REQUIRED.



**MODEL**  
 AirRite TT Series 230 VTL Indoor

**STANDARD FEATURES**

- TESTED TO ANSI Z83.4 & Z83.18
- MAXITROL TEMPERATURE CONTROL SYSTEM
- ELECTRONIC FLAME SUPERVISION
- FACTORY TESTED
- 16 GAUGE CRS CASING
- (2) 30" DWI FORWARD CURVED BLOWER
- UNIT MTD CONTROL MODULE
- LUBRICATED BEARINGS W/ ZIRK FITTINGS
- BELT GUARD (PER OSHA STANDARDS)
- AIR PROVING SWITCH
- AIR INLET SCREEN (OUTDOOR UNITS ONLY)
- INDUSTRIAL ENAMEL EXTERIOR FINISH
- HEAT & RUST RESISTANT INTERIOR FINISH
- ADJUSTABLE BURNER PROFILE DAMPERS
- MIDCO BURNER

GAS TRAIN SIZE
2-1/2", 3"

PRELIMINARY

**WEATHER-RITE**  
 HEATING AND VENTILATION, INC.