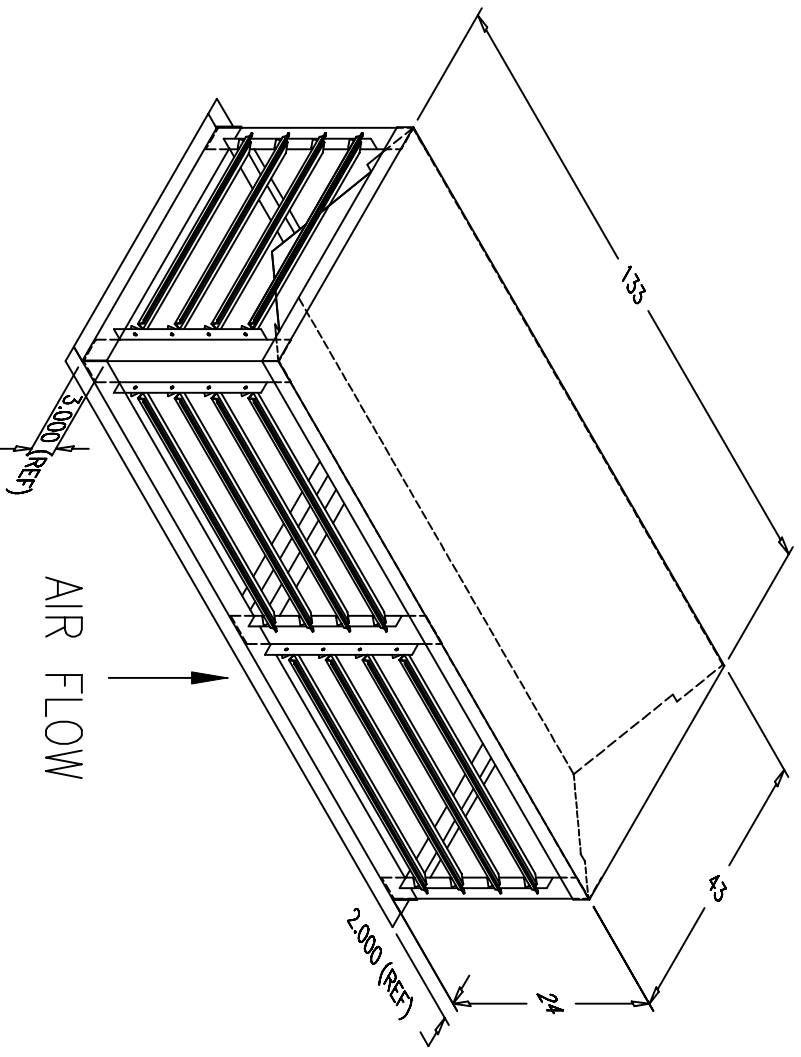
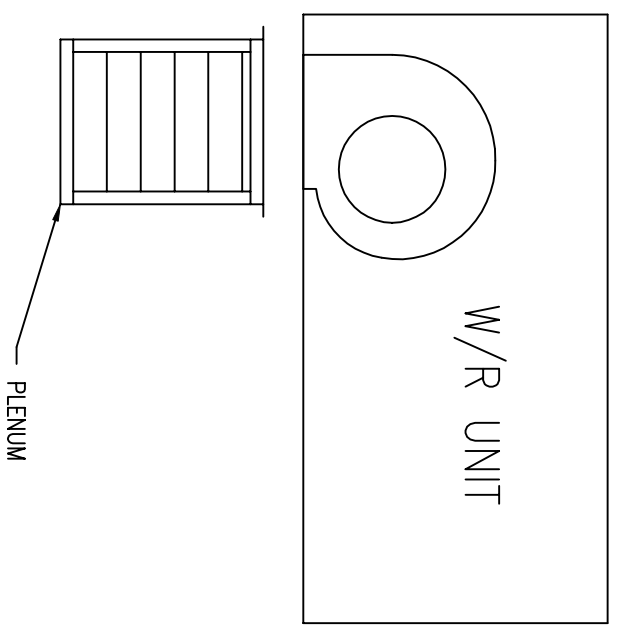


ASSY, DISCH PLENUM 4-WAY
 AirRite TT Series
 Model 233



NOTE: USE DISCHARGE DAMPER ON STATIC PRESSURE
 CHART WHEN CALCULATING SYSTEM PRESSURE DROPS.



PRELIMINARY

NOTE:
 1.) DRAWING IS NOT TO SCALE.

Wentholp-Rite Inc.