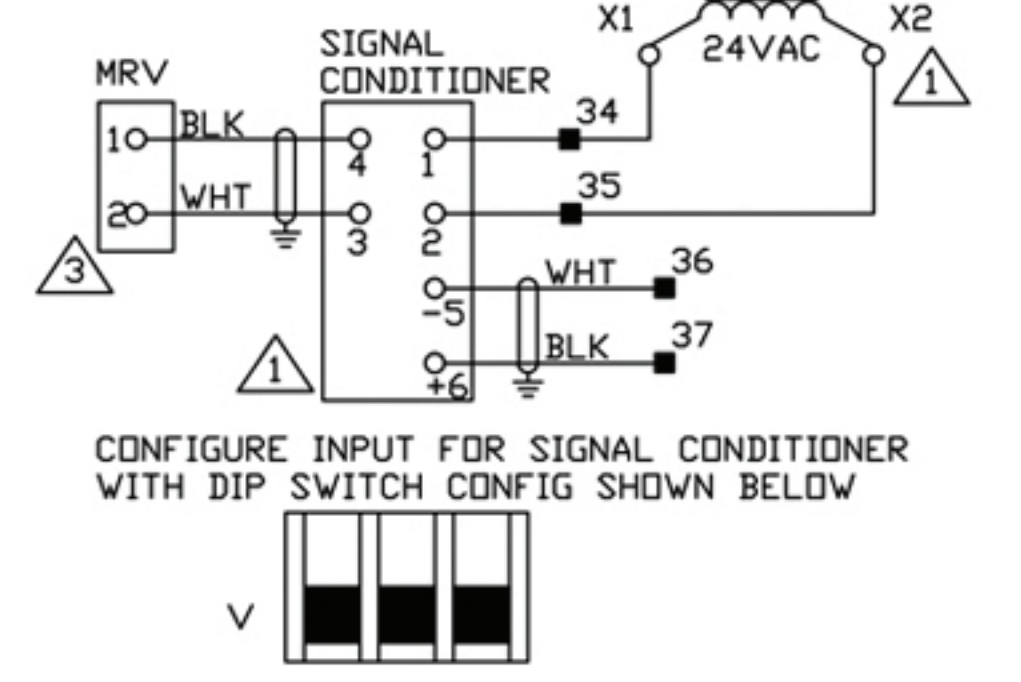
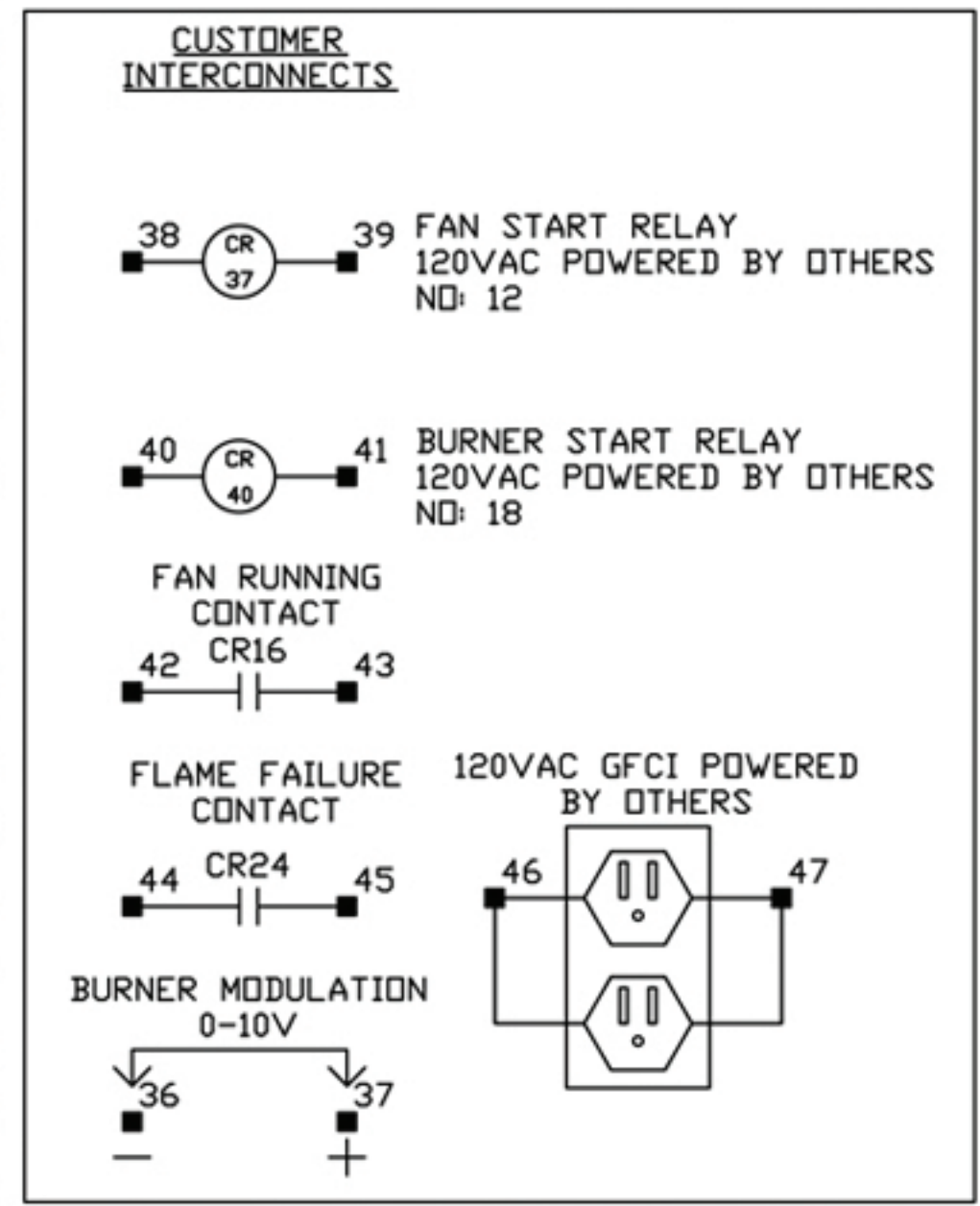


MOTOR CONDUCTOR AND CONDUIT SIZE	
MOTOR #	MOTOR 1
MOTOR CONDUCTOR SIZE	#14AWG BLACK THHN
MOTOR GROUNDING CONDUCTOR SIZE	#14AWG GREEN THHN
MOTOR CONDUIT SIZE	0.5"

TERMINAL BLOCK AND WIRE COLOR DESIGNATION
 GREEN = GROUND WIRES @ BARE DRAIN WIRES ON SHIELDED CABLE IN MAIN CONTROL PANEL.
 GREY = GROUNDED OR NEUTRAL CONDUCTORS
 RED = AC CONDUCTORS 150V OR LESS NOT GROUNDED
 BLUE = ALL DC CONDUCTORS @ 4-20 mA CONDUCTORS
 BLACK = LINE OR SUPPLY CONDUCTORS 200VAC OR HIGHER
 YELLOW = ALL CONDUCTORS AC OR DC POWERED BY OTHERS NOT DE-ENERGIZED BY MAIN DISCONNECT
 WHITE w/ YELLOW STRIPE = GROUNDED OR NEUTRAL CONDUCTORS POWERED BY OTHERS NOT DE-ENERGIZED BY MAIN DISCONNECT.
 WHITE w/ YELLOW STRIPE = LINE OR SUPPLY CONDUCTORS NOT DE-ENERGIZED BY MAIN DISCONNECT

ALL CONDUCTORS TO BE #16AWG THHN UNLESS OTHERWISE SHOWN OR SPECIFIED ON ELECTRICAL PRINTS
 SHIELDED CABLE TO BE #22AWG MINIMUM GROUND ONE END AT CONTROL PANEL

TERMINAL SYMBOL LOCATION KEY	WIRE SYMBOL KEY	COMPONENT LOCATION AND PROVIDER KEY
■ MAIN ENCLOSURE	— FACTORY WIRED	△ SECOND DIGIT DENOTES PROVIDED BY NON-FABRY 1=OTHERS
▲ REMOTE ENCLOSURE	- - - FIELD WIRED	○ FIRST DIGIT DENOTES COMPONENT LOCATION 1=MAIN ENCLOSURE 2=REMOTE ENCLOSURE 3=INT MOUNTED (NOT IN ENCLOSURE) 4=FIELD INSTALLED (BY OTHERS) 5=URNER ENCLOSURE 6=VFD ENCLOSURE
○ TERMINAL ON DEVICE	⊥ SHIELDED CABLE	
◆ MOTOR CONTROL ENCL.		
⊗ SPC CONTROL ENCL.		



Weather-Rite LLC

1100 7 Mile Road, Comstock Park MI 49321-0700

DRAWING DESCRIPTION	SCALE	TOLERANCES (UNLESS OTHERWISE NOTED)	
MATL: NA	WEIGHT (lbs):	FRACTION	MACH WELD FAB
DO NOT SCALE DRAWING	CHECKED BY:	.01	1/8 1/16
REMOVE BURRS & SHARP EDGES	BLANK SIZE (in):	DECIMAL	.03 .02
ALL DIMENSIONS ARE IN INCHES UNLESS OTHERWISE SPECIFIED	DRAWN BY:	ANGLE	1° 2° 2°
This sheet is for general information purposes only. Information can change without notice and should therefore not be used for construction or installation. All products must be set-up, assembled, installed and used in accordance with all applicable instructions, the provided instruction manual as well as requirements of governmental authorities. The information on this sheet is proprietary.	REV	CREATION DATE:	
	DWG. NO.	SHEET 1 OF 1	