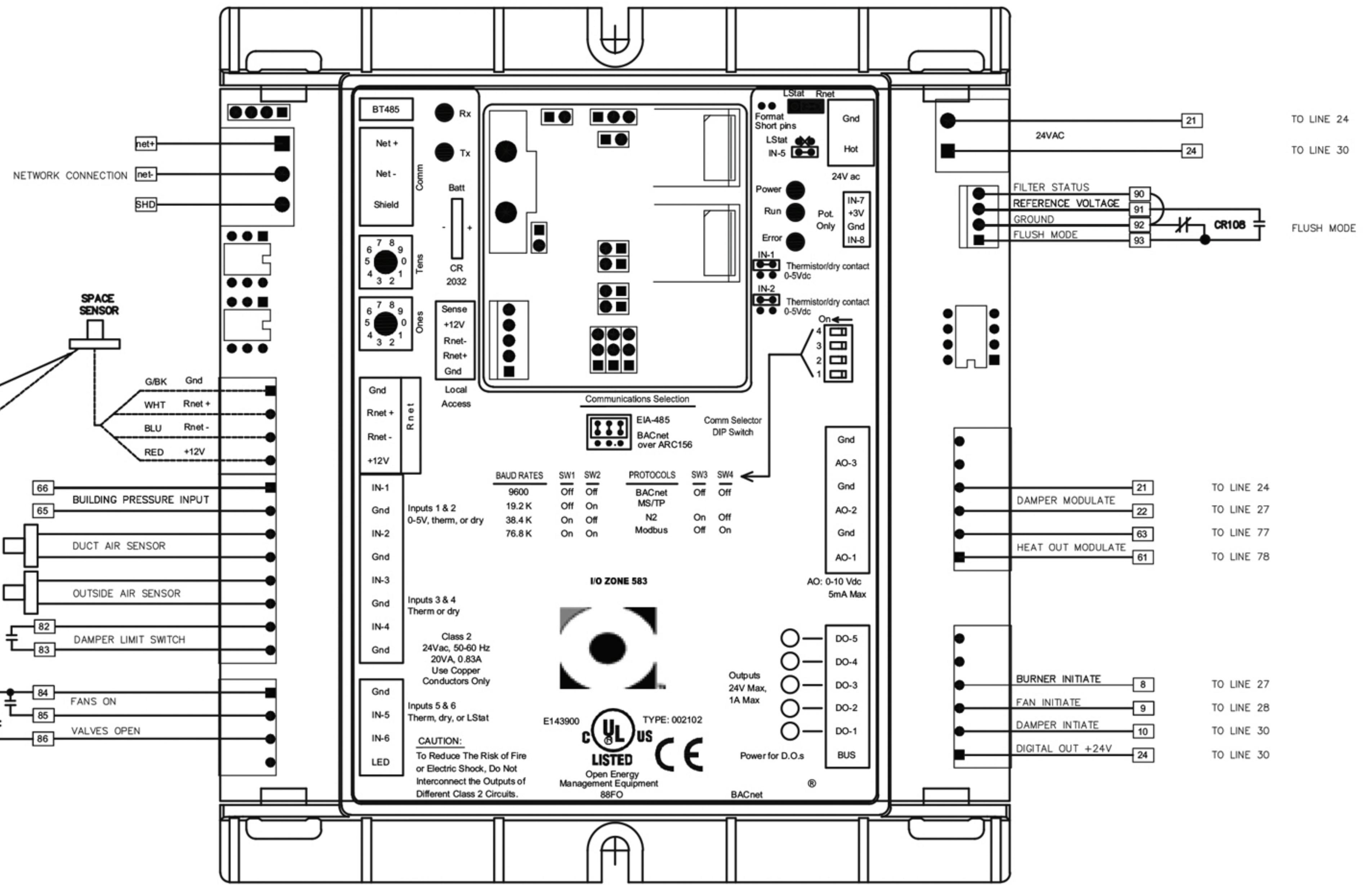
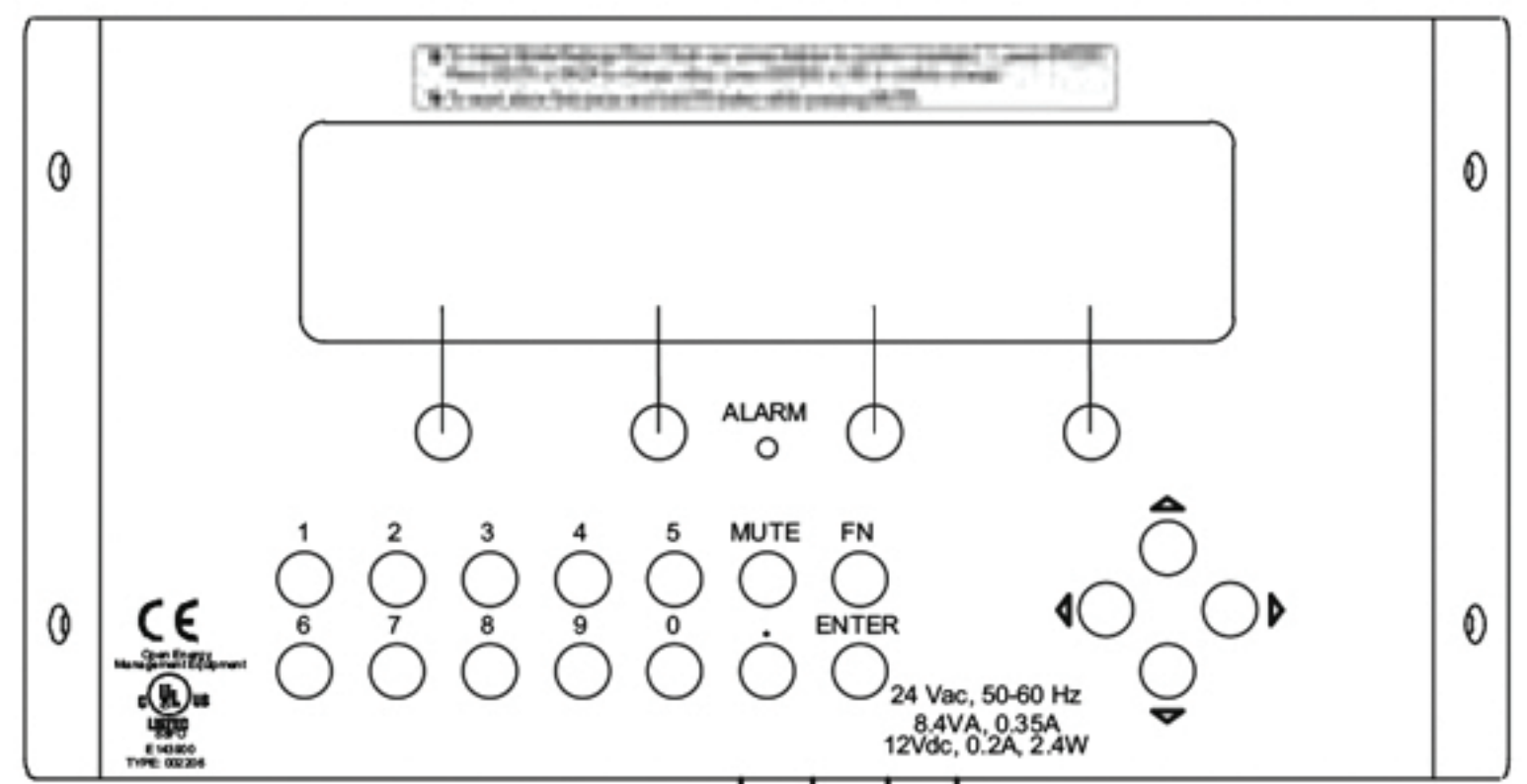
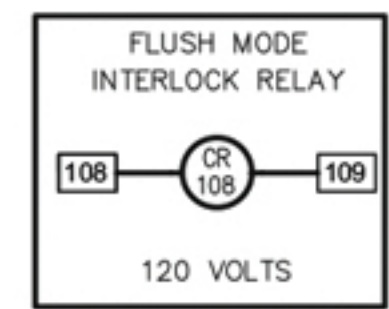


**FIGURE 34: Cabling and Network Specifics for Use with One Handler**



NOTE: Voltage & HP Info shown on this drawing are for illustration purposes only. For actual HP and electrical supply information, please refer to the equipment summary and electrical supply data sheets supplied for your project.

	DRAWING DESCRIPTION		SCALE	TOLERANCES (UNLESS OTHERWISE NOTED)		
	MATERIAL: NA		WEIGHT (lbs):	MACH 1/32 1/8 1/16 WELD .01 .03 .02 DECIMAL .005 ANGLE 1° 2° 2°		
1100 7 Mile Road, Comstock Park MI 49321-0700		DO NOT SCALE DRAWING	REMOVE BURRS & SHARP EDGES	BLANK SIZE (in):	DRAWN BY:	PRINTED DATE:
ALL DIMENSIONS ARE IN INCHES UNLESS OTHERWISE SPECIFIED		This sheet is for general information purposes only. Information can change without notice and should therefore not be used for construction or installation. All products must be set-up, assembled, installed and used in accordance with all applicable instructions, the provided instruction manual as well as requirements of governmental authorities. The information on this sheet is proprietary.		REV	CREATION DATE:	
		DWG. NO.			SHEET 1 OF 1	