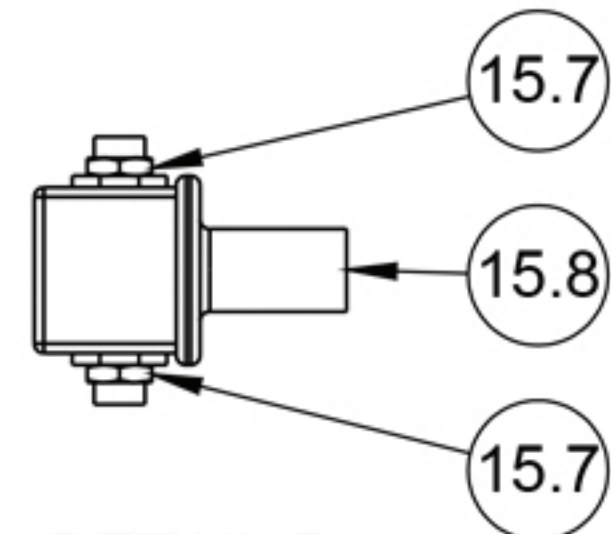
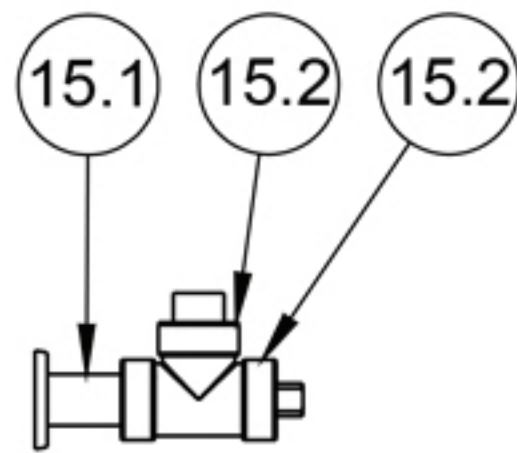


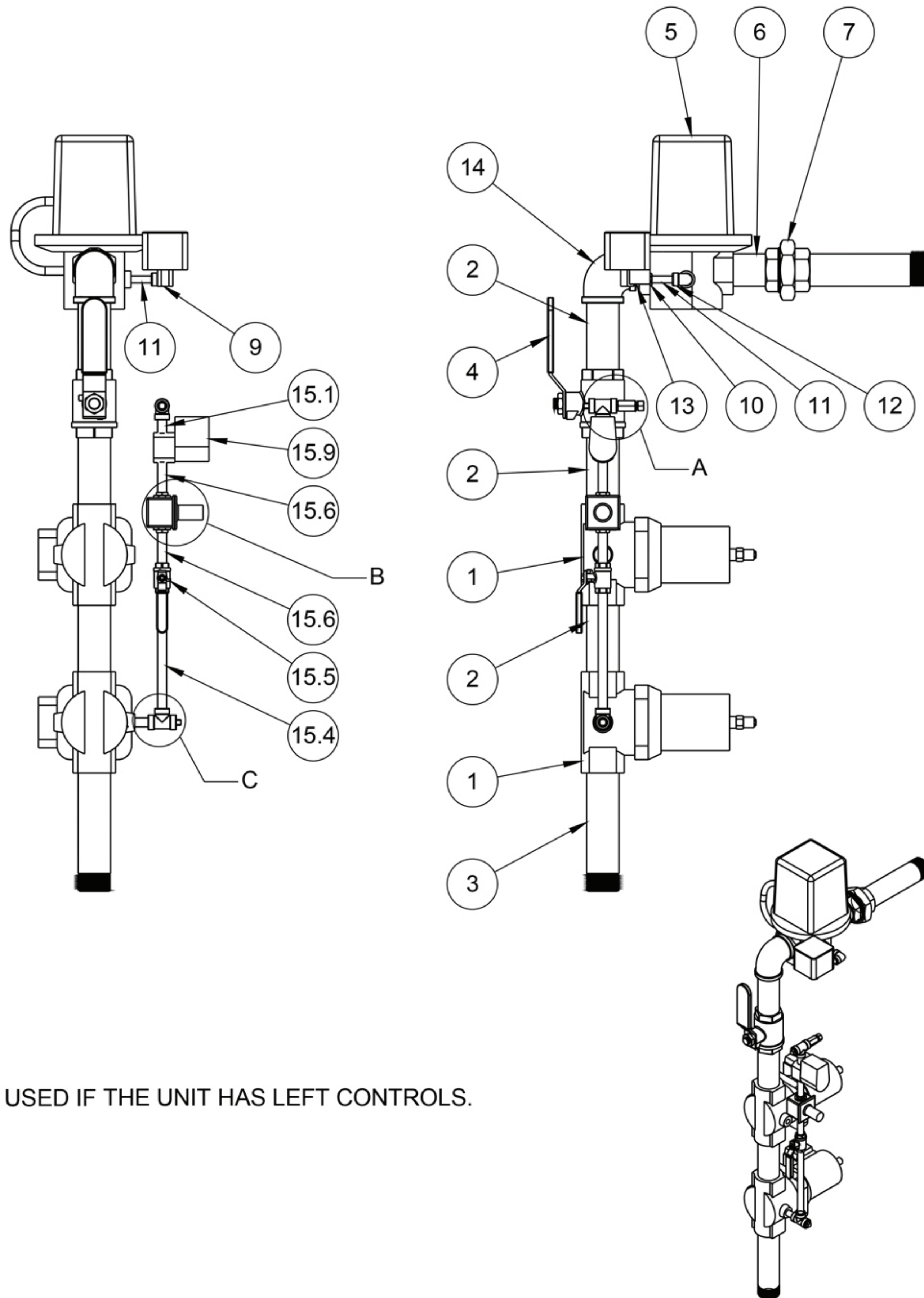
DETAIL A
SCALE 1 : 4



DETAIL B
SCALE 1 : 4



DETAIL C
SCALE 1 : 4



NOTES
1. SCHEMATIC TO BE USED IF THE UNIT HAS LEFT CONTROLS.

ITEM	PART NO	DESCRIPTION	QTY.
1	36012	VLV,GAS,1-1/2"V4295A1148	2
2	30040	P.FTG,NIP 1 1/2x6 BLK	3
3	30381	P.FTG,NIP 1 1/2x8 BLK	2
4	30004	VLV,BALL,MAN 1.50"	1
5	07500.3	VLV,ES297D, 1-1/2"	1
6	30072	P.FTG,NIP 1 1/2x4 BLK	1
7	30329	P.FTG,UN 1 1/2 BLK 150#	1
8	36001	INDICATOR,VIS KTCPI001	2
9	08602	SW,PRS,GAS C6097B-1028/B	1
10	30367	P.FTG,BH,RD 1/4x1/8	1
11	30023	P.FTG,NIP 1/8x2 BLK	2
12	30202	P.FTG,EL 1/8 BLK	1
13	31016	P.FTG,NIP 1 1/2x2 BLK	1
14	30208	P.FTG,EL 1 1/2 BLK	1
15	A-000081	Gas Manifold Pilot Line	1
15.1	30031	P.FTG,NIP 1/4x2 BLK	2
15.2	30313	P.FTG,T 1/4 BLK	2
15.3	30278	P.FTG,PLUG 1/4 BLK	2
15.4	30037	P.FTG,NIP 1/4x8 BLK	1
15.5	30000	VLV,BALL,MAN 1/4"	1
15.6	30032	P.FTG,NIP 1/4x3 BLK	2
15.7	30295	P.FTG,BH,RD 3/8 x 1/4	2
15.8	28311	REG,R-400-5 3/8" SILVER	1
15.9	07522	VLV,ASCO 1/4 NC PILOT SOL	1
15.10	20729	FITTING, COMPR. 68CA5-4	1

<i>Weather-Rite LLC</i>	DRAWING DESCRIPTION		SCALE	TOLERANCES (UNLESS OTHERWISE NOTED)			
	MATERIAL: NA		WEIGHT (lbs):	FRACTION	MACH	WELD	FAB
1100 7 Mile Road, Comstock Park MI 49321-0700		CHECKED BY:	BLANK SIZE (in):	1/32	1/8	1/16	
DO NOT SCALE DRAWING REMOVE BURRS & SHARP EDGES		DRAWN BY:	PRINTED DATE:	DECIMAL	.01	.03	.02
ALL DIMENSIONS ARE IN INCHES UNLESS OTHERWISE SPECIFIED		REV	CREATION DATE:	ANGLE	1°	2°	2°
This sheet is for general information purposes only. Information can change without notice and should therefore not be used for construction or installation. All products must be set-up, assembled, installed and used in accordance with all applicable instructions, the provided instruction manual as well as requirements of governmental authorities. The information on this sheet is proprietary.		DWG. NO.	SHEET	1 OF 1			