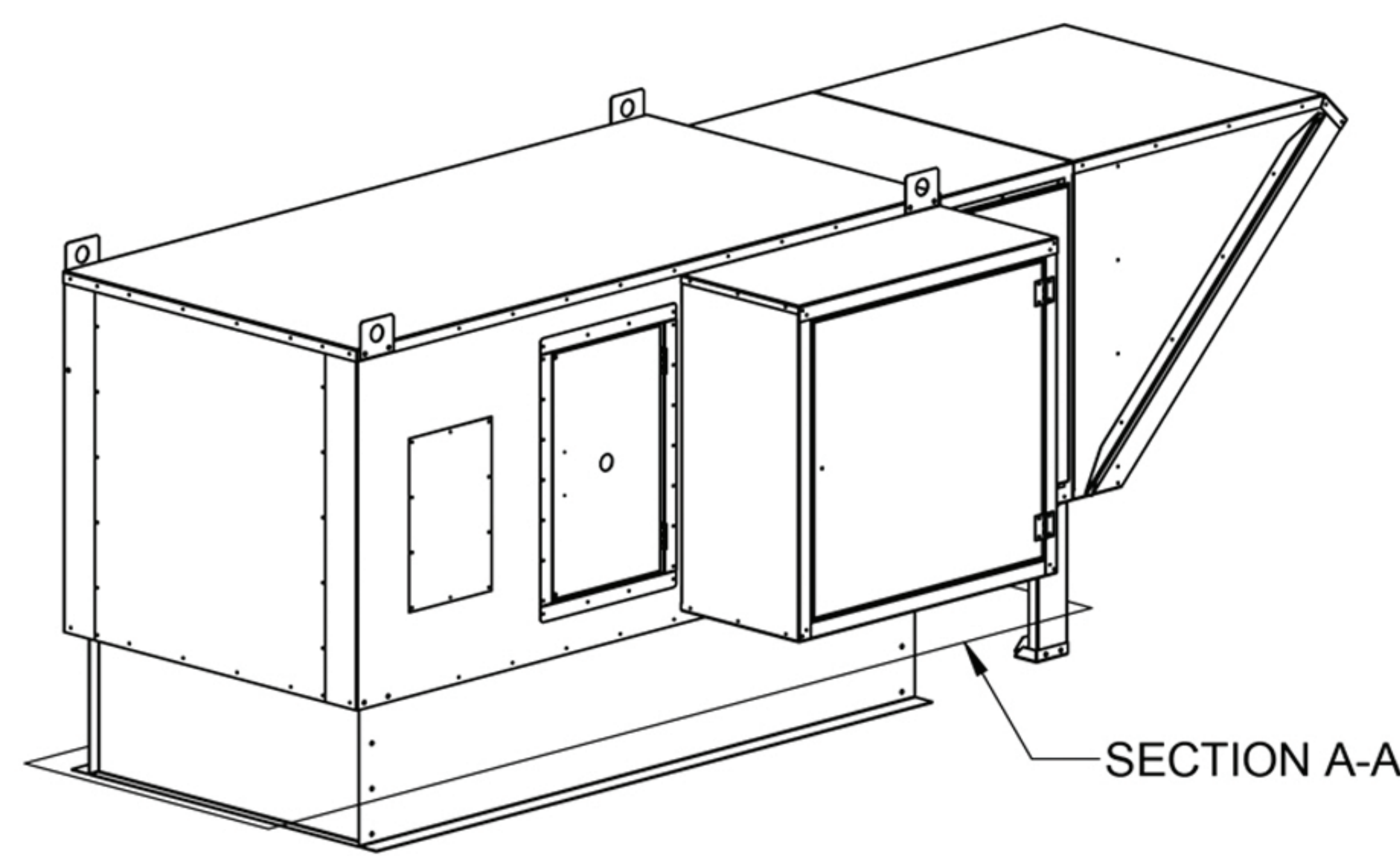


SECTION A-A
SCALE 1 : 12



CABINET SIZE	"A"	"B"	"C"	"D"	"E"	"F"	"G"	"H"	"I"	"J"
XT-112	78.2	28.9	107	25.5	1.3	5.3	22.9	14.9	1.7	23.4
XT-115	102.5	42.3	129.5	39.2	1.3	5.3	36.5	28.6	1.5	21.7
XT-118	93	51	119.4	43.6	1.3	5.3	40.9	32.9	3.7	21
XT-125	113.6	57.5	144.9	49	1.3	5.3	46.4	38.5	4.2	26
XT-130	151.8	79.1	176.6	72.3	1.3	5.3	69.7	61.7	3.4	19.5

Weather-Rite LLC

1100 7 Mile Road, Comstock Park MI 49321-0700

DRAWING DESCRIPTION		SCALE	TOLERANCES (UNLESS OTHERWISE NOTED)	
MATERIAL: NA		WEIGHT (lbs):	FRACTION	MACH WELD FAB
DO NOT SCALE DRAWING		CHECKED BY:	1/32	1/8
REMOVE BURRS & SHARP EDGES		BLANK SIZE (in):	DECIMAL	1/16
ALL DIMENSIONS ARE IN INCHES UNLESS OTHERWISE SPECIFIED		DRAWN BY:	ANGLE	1° 2° 2°
This sheet is for general information purposes only. Information can change without notice and should therefore not be used for construction or installation. All products must be set-up, assembled, installed and used in accordance with all applicable instructions, the provided instruction manual as well as requirements of governmental authorities. The information on this sheet is proprietary.		REV	CREATION DATE:	
		DWG. NO.	SHEET 1 OF 1	