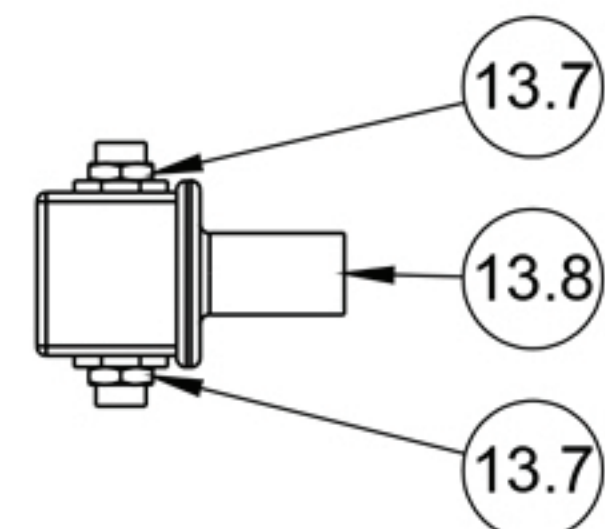
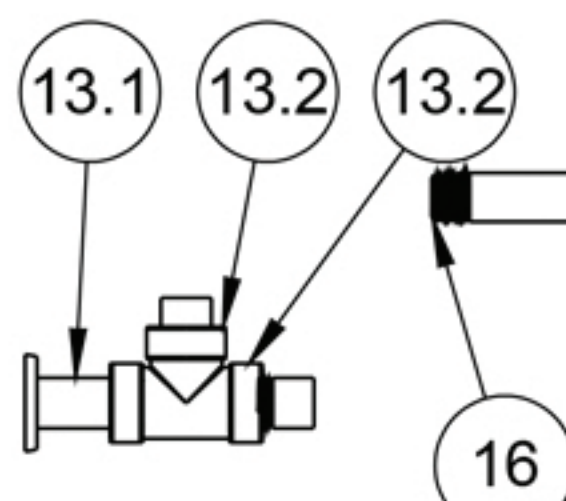


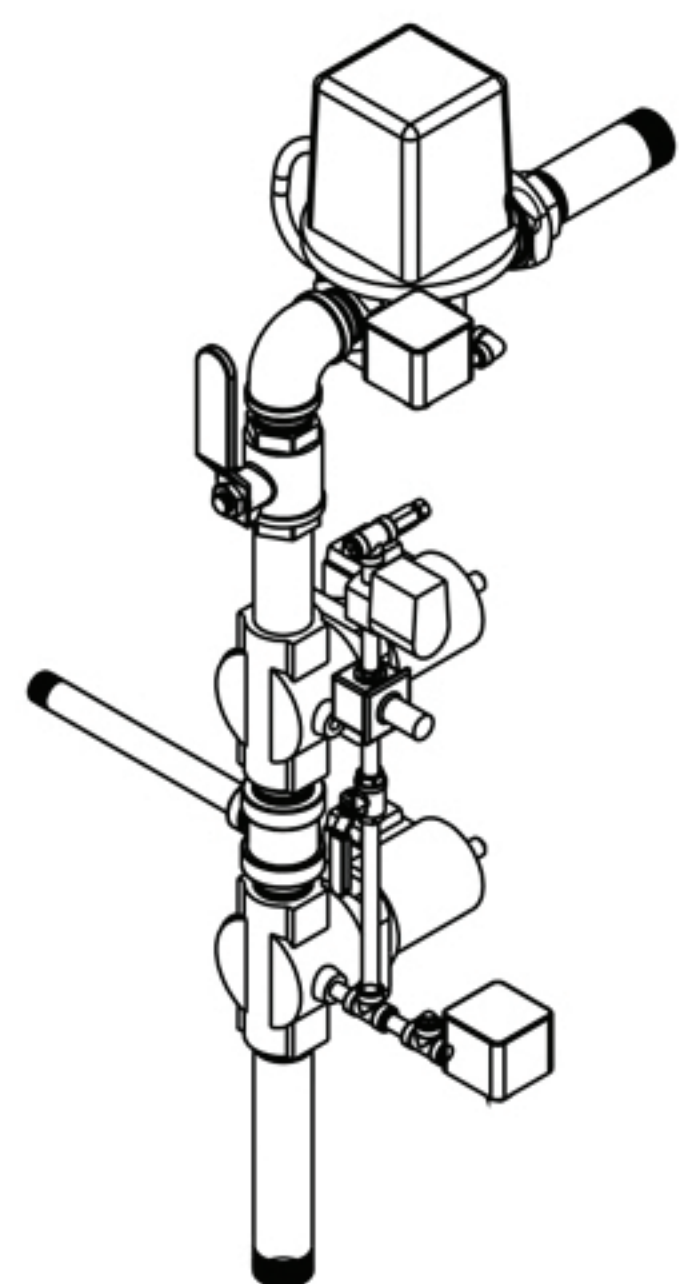
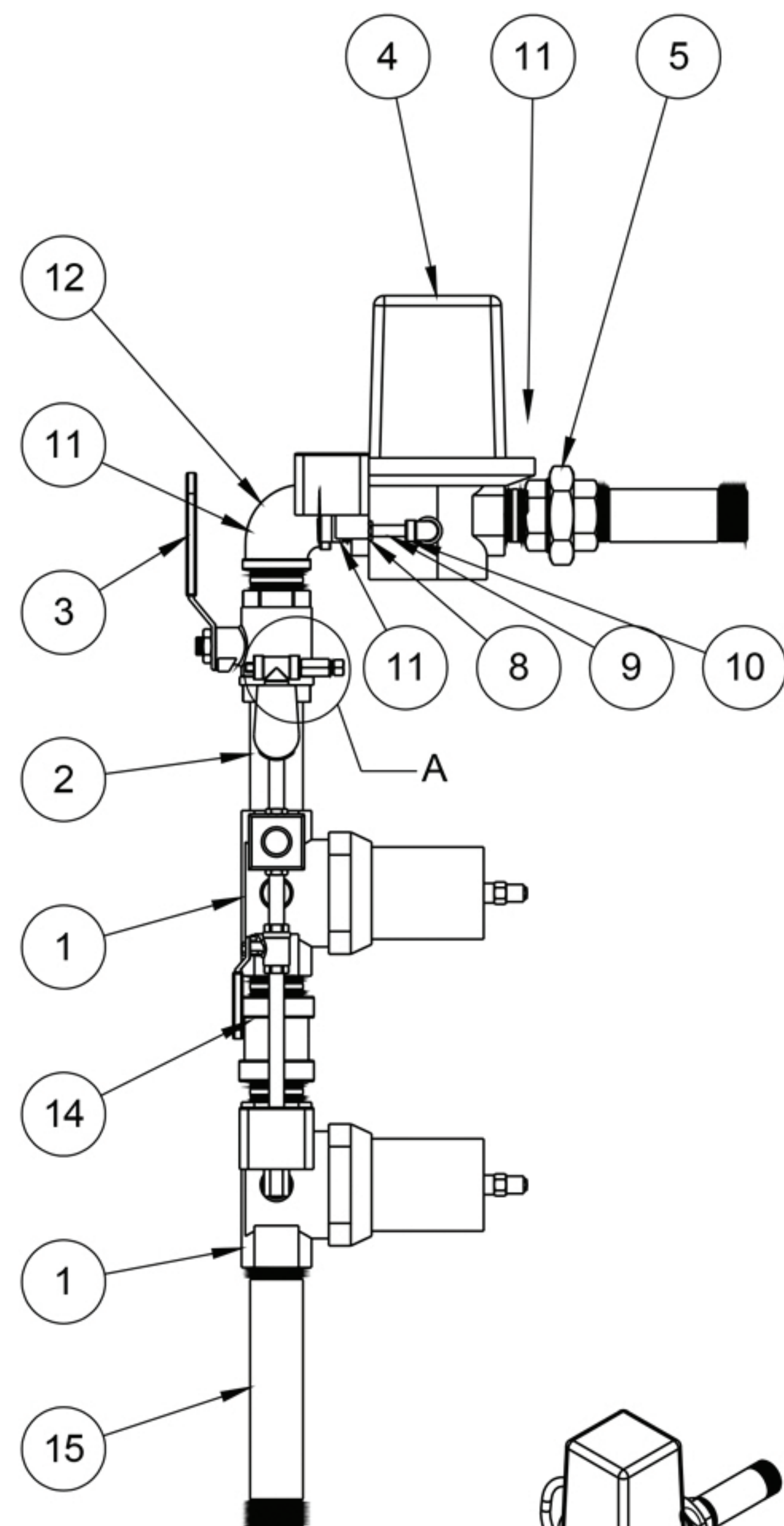
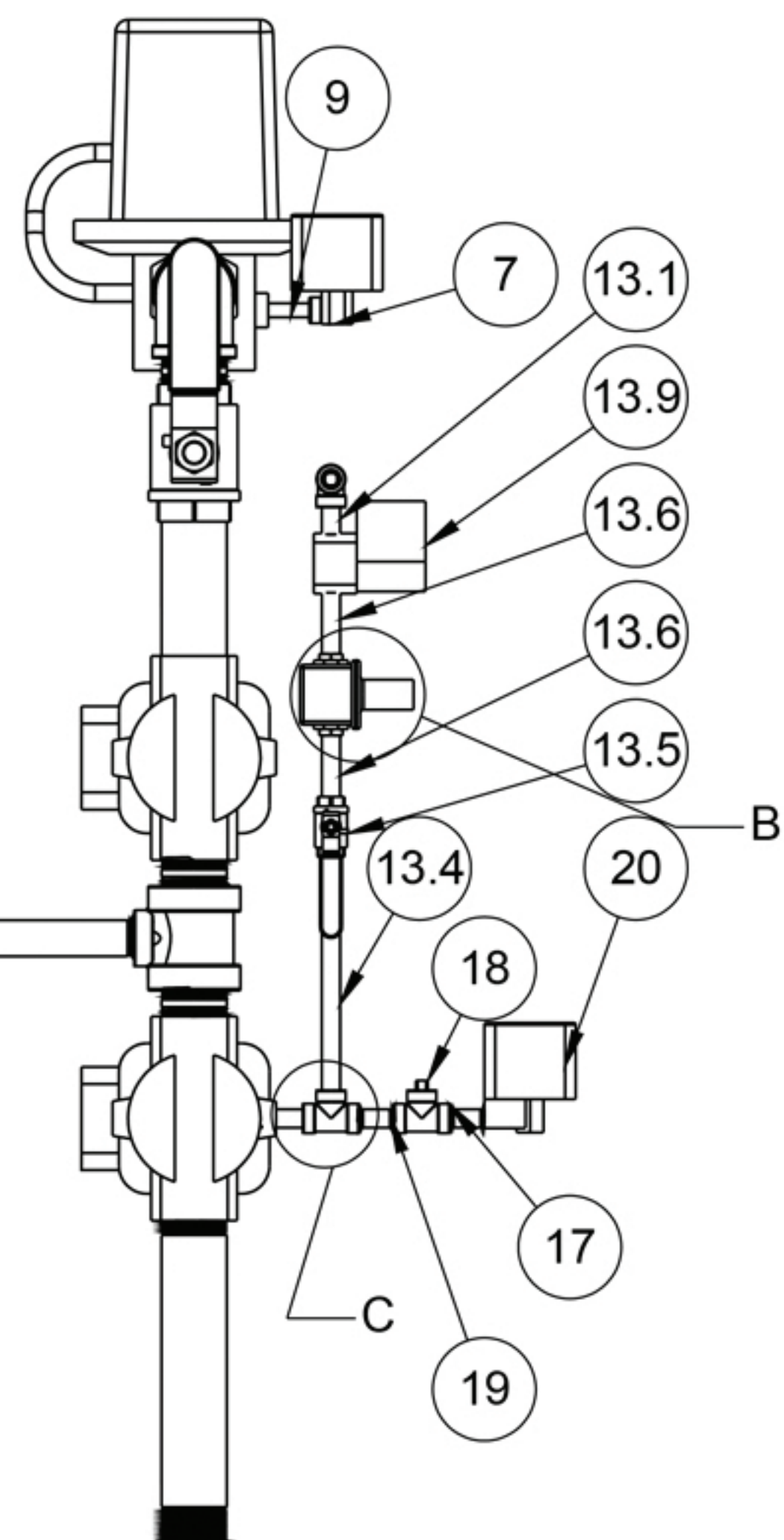
DETAIL A
SCALE 1 : 4



DETAIL B
SCALE 1 : 4



DETAIL C
SCALE 1 : 4



ITEM	PART NO	DESCRIPTION	QTY.
1	36012	VLV,GAS,1-1/2"V4295A1148	2
2	30040	P.FTG,NIP 1 1/2x6 BLK	2
3	30004	VLV,BALL,MAN 1.50"	1
4	07500.3	VLV,ES297D, 1-1/2"	1
5	30329	P.FTG,UN 1 1/2 BLK 150#	1
6	36001	INDICATOR,VIS KTCPI001	2
7	08602	SW,PRS,GAS C6097B-1028/B	1
8	30367	P.FTG,BH,RD 1/4x1/8	1
9	30023	P.FTG,NIP 1/8x2 BLK	2
10	30202	P.FTG,EL 1/8 BLK	1
11	31016	P.FTG,NIP 1 1/2x2 BLK	5
12	30208	P.FTG,EL 1 1/2 BLK	1
13	A-000081	Gas Manifold Pilot Line	1
13.1	30031	P.FTG,NIP 1/4x2 BLK	2
13.2	30313	P.FTG,T 1/4 BLK	2
13.3	30278	P.FTG,PLUG 1/4 BLK	2
13.4	30037	P.FTG,NIP 1/4x8 BLK	1
13.5	30000	VLV,BALL,MAN 1/4"	1
13.6	30032	P.FTG,NIP 1/4x3 BLK	2
13.7	30295	P.FTG,BH,RD 3/8 x 1/4	2
13.8	28311	REG,R-400-5 3/8" SILVER	1
13.9	07522	VLV,ASCO 1/4 NC PILOT SOL	1
13.10	20729	FITTING, COMPR. 68CA5-4	1
14	30301		1
15	30104	P.FTG,NIP 1 1/2x10 BLK	1
16	30068		1
17	30313	P.FTG,T 1/4 BLK	1
18	30278	P.FTG,PLUG 1/4 BLK	1
19	30031	P.FTG,NIP 1/4x2 BLK	2
20	08604	SW,PRS,GAS LOW	1

NOTES
1. SCHEMATIC TO BE USED IF THE UNIT HAS LEFT CONTROLS.

	DRAWING DESCRIPTION	SCALE	TOLERANCES (UNLESS OTHERWISE NOTED)	
	MATL: NA	CHECKED BY:	WEIGHT (lbs):	MACH WELD FAB
1100 7 Mile Road, Comstock Park MI 49321-0700	DO NOT SCALE DRAWING	REMOVE BURRS & SHARP EDGES	BLANK SIZE (in):	DRAWN BY: PRINTED DATE:
ALL DIMENSIONS ARE IN INCHES UNLESS OTHERWISE SPECIFIED	This sheet is for general information purposes only. Information can change without notice and should therefore not be used for construction or installation. All products must be set-up, assembled, installed and used in accordance with all applicable instructions, the provided instruction manual as well as requirements of governmental authorities. The information on this sheet is proprietary.		REV	CREATION DATE:
	DWG. NO.		SHEET 1 OF 1	