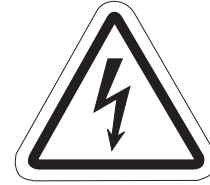


Pressure Switch Replacement Kits

Kit Includes:

1. One (1) – Pressure Switch (P/N 904398XX)
2. One (1) – L Bracket (P/N 90439852)
3. One (1) – Snap Ring (P/N 90439850)
4. One (1) – Instructions (P/N 91700002)
5. Two (2) – Silicone Tube 11" (P/N 91417405)

⚠ DANGER



Electrical Shock Hazard

Disconnect electric before service.

Heater must be properly grounded.

Failure to follow these instructions can result in death or electrical shock.

⚠ WARNING



Fire Hazard

Keep all flammable objects, liquids and vapors the minimum required clearances to combustibles away from heater.

Some objects will catch fire or explode when placed close to heater.



Explosion Hazard

Turn off gas supply to heater before service.



Burn Hazard

Allow heater to cool before service.

Tubing may still be hot after operation.



Cut/Pinch Hazard

Wear protective gear during installation, operation and service.

Edges are sharp.

Failure to follow these instructions can result in death, injury or property damage.

Installation Code and Annual Inspections: All installation and service of ROBERTS GORDON® equipment must be performed by a contractor qualified in the installation and service of equipment sold and supplied by Roberts-Gordon LLC and conform to all requirements set forth in the ROBERTS GORDON® manuals and all applicable governmental authorities pertaining to the installation, service and operation of the equipment. To help facilitate optimum performance and safety, Roberts-Gordon LLC recommends that a qualified contractor conduct, at a minimum, annual inspections of your ROBERTS GORDON® equipment and perform service where necessary, using only replacement parts sold and supplied by Roberts-Gordon LLC.

© 2011 Roberts-Gordon LLC All rights reserved. No part of this work covered by the copyrights herein may be reproduced or copied in any form or by any means – graphic, electronic, or mechanical, including photocopying, recording, taping, or information storage and retrieval systems – without written permission of Roberts-Gordon LLC.

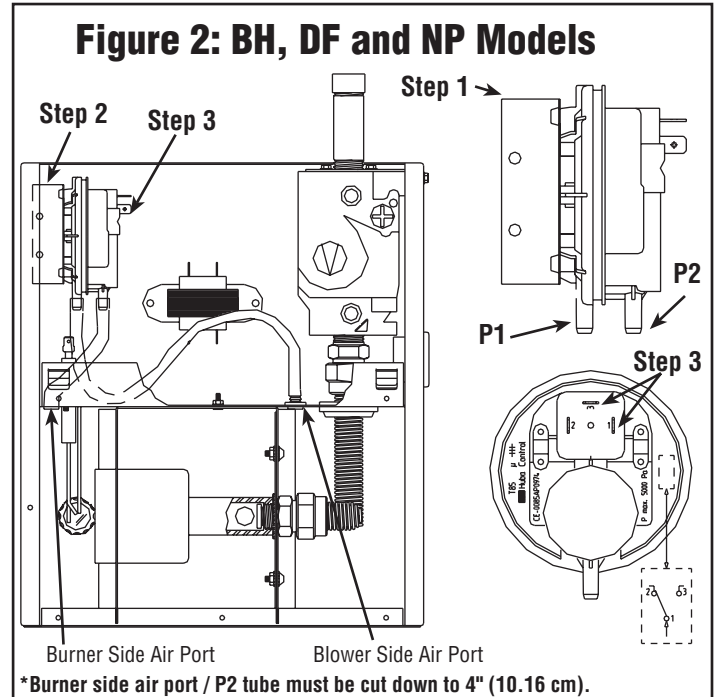
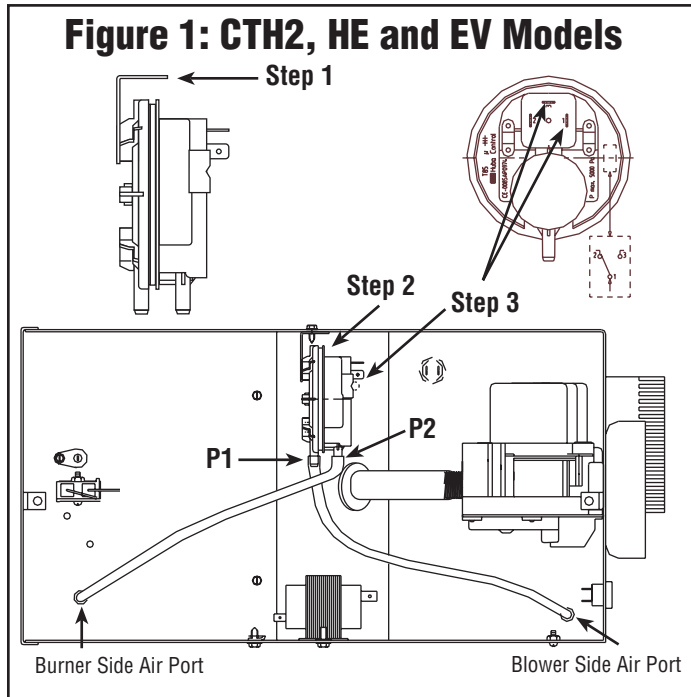
Roberts-Gordon LLC

1250 William Street
P.O. Box 44
Buffalo, NY 14240-0044
Telephone: 716.852.4400
Fax: 716.852.0854
Toll-Free: 800.828.7450
www.rg-inc.com

**This product is not for residential use.
This document is intended to assist licensed professionals in the exercise of their professional judgment.**

Instructions:

- Step 1. Disconnect electric before service.
- Step 2. Install new pressure switch into burner as shown. Replace the existing silicone tubes with the new tubes provided. Make note of the P1 and P2 tube connections. Connect tube from the blower or fresh air side air port to P1 on the pressure switch. Connect tube from the burner side air port to P2. Tubes must not kink when burner doors are replaced, cut down as necessary.*
- Step 3. Connect wires to tab 1 and tab 3 on pressure switch.



Installation Code and Annual Inspections: All installation and service of ROBERTS GORDON® equipment must be performed by a contractor qualified in the installation and service of equipment sold and supplied by Roberts-Gordon LLC and conform to all requirements set forth in the ROBERTS GORDON® manuals and all applicable governmental authorities pertaining to the installation, service and operation of the equipment. To help facilitate optimum performance and safety, Roberts-Gordon LLC recommends that a qualified contractor conduct, at a minimum, annual inspections of your ROBERTS GORDON® equipment and perform service where necessary, using only replacement parts sold and supplied by Roberts-Gordon LLC.

© 2011 Roberts-Gordon LLC All rights reserved. No part of this work covered by the copyrights herein may be reproduced or copied in any form or by any means – graphic, electronic, or mechanical, including photocopying, recording, taping, or information storage and retrieval systems – without written permission of Roberts-Gordon LLC.

Roberts-Gordon LLC

1250 William Street
P.O. Box 44
Buffalo, NY 14240-0044
Telephone: 716.852.4400
Fax: 716.852.0854
Toll-Free: 800.828.7450
www.rg-inc.com

**This product is not for residential use.
This document is intended to assist licensed
professionals in the exercise of their profes-
sional judgment.**

Figure 3: TF Models

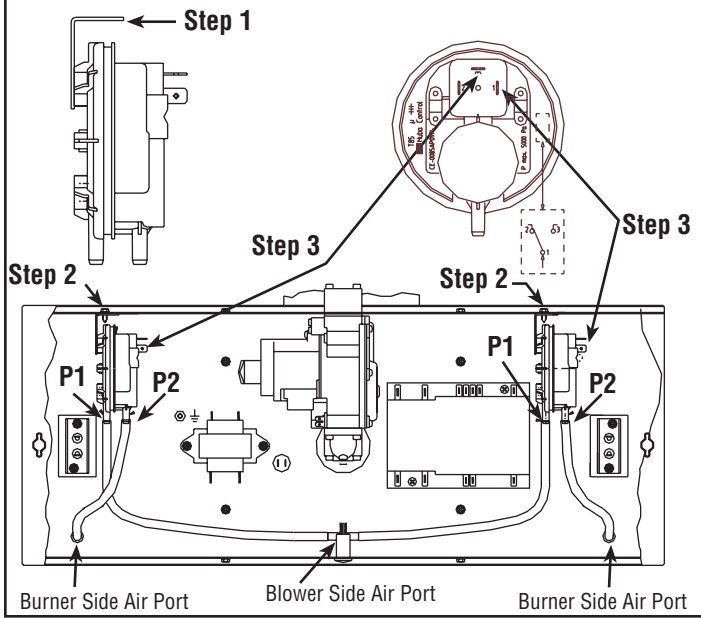


Figure 4: CGTH Models

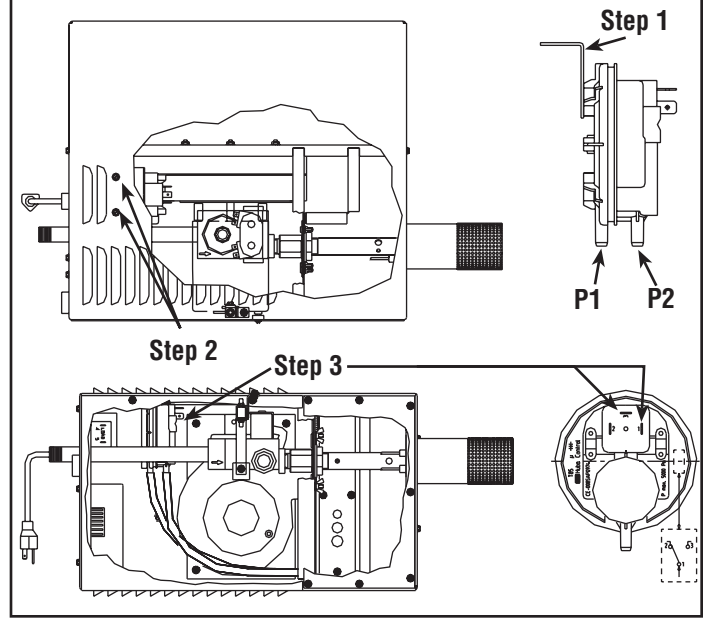
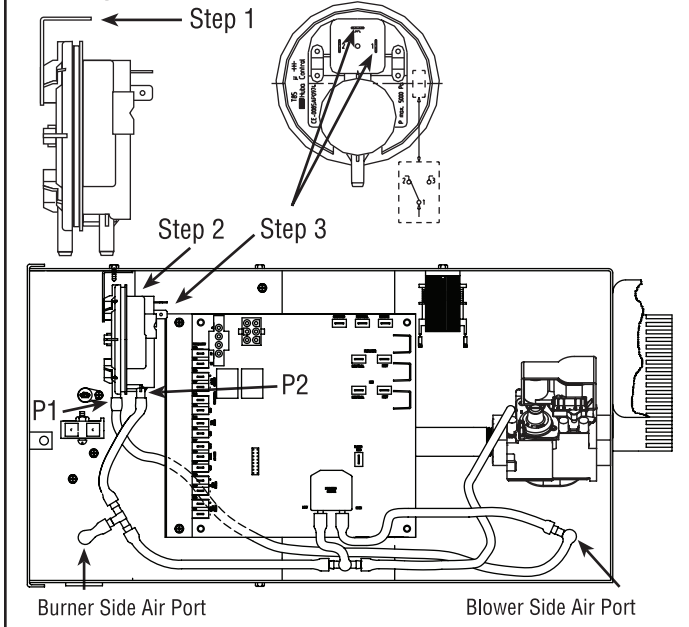


Figure 5: CTH3 Models



Installation Code and Annual Inspections: All installation and service of ROBERTS GORDON® equipment must be performed by a contractor qualified in the installation and service of equipment sold and supplied by Roberts-Gordon LLC and conform to all requirements set forth in the ROBERTS GORDON® manuals and all applicable governmental authorities pertaining to the installation, service and operation of the equipment. To help facilitate optimum performance and safety, Roberts-Gordon LLC recommends that a qualified contractor conduct, at a minimum, annual inspections of your ROBERTS GORDON® equipment and perform service where necessary, using only replacement parts sold and supplied by Roberts-Gordon LLC.

Roberts-Gordon LLC

1250 William Street
 P.O. Box 44
 Buffalo, NY 14240-0044
 Telephone: 716.852.4400
 Fax: 716.852.0854
 Toll-Free: 800.828.7450
www.rg-inc.com

© 2011 Roberts-Gordon LLC All rights reserved. No part of this work covered by the copyrights herein may be reproduced or copied in any form or by any means – graphic, electronic, or mechanical, including photocopying, recording, taping, or information storage and retrieval systems – without written permission of Roberts-Gordon LLC.

This product is not for residential use. This document is intended to assist licensed professionals in the exercise of their professional judgment.