

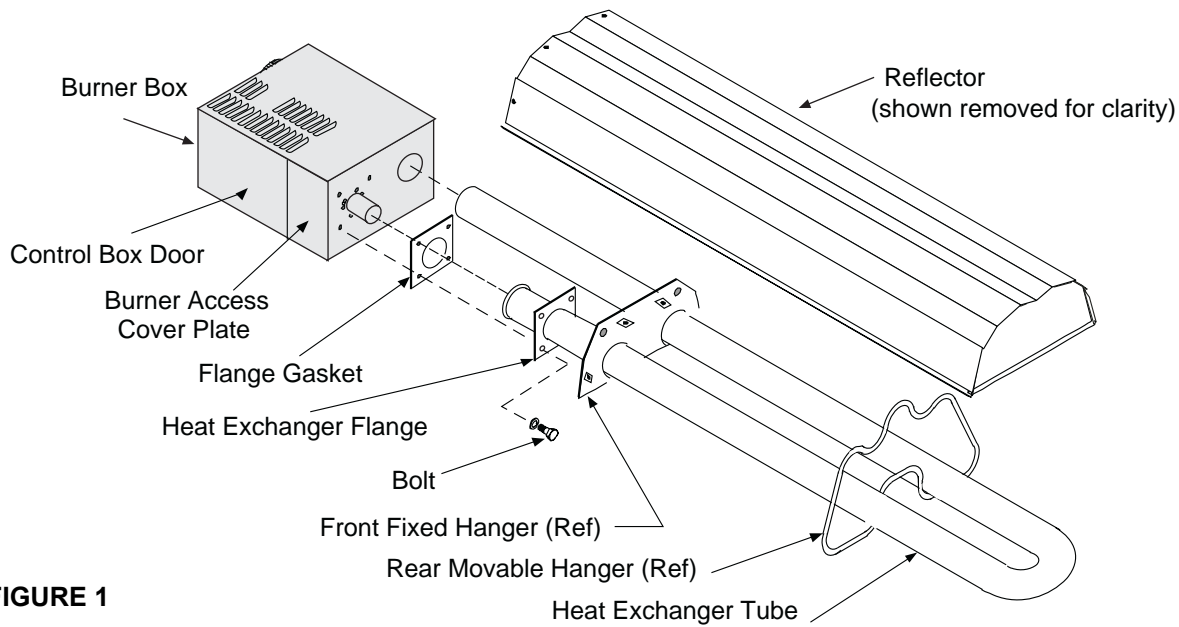
# CARIBE® IGNITER REPLACEMENT INSTRUCTIONS (P/N 90439101K)

## ⚠ WARNING

Disconnect gas and electrical supplies before performing service or maintenance.

Failure to follow these instructions can result in death, injury or property damage.

Part Number	Quantity	Part Description
90439101	1	IGNITER
93731408	1	SCREW 8 - 32X 1/2 SST SOCKET HD
91700006	1	CARIBE® IGNITER REPLACEMENT INSTRUCTIONS
91118009	1	SET SCREW #10-32X 3/16 CUP PT



**FIGURE 1**

**Installation Code:** ROBERTS GORDON® products are to be installed only in accordance with local laws, codes and regulations, and only by a contractor qualified in the installation and service of gas-fired heating equipment.

For optimum product performance and safety, installation, service and annual inspections must be completed by a contractor qualified in the installation and service of gas-fired heating equipment.

© 2004 ROBERTS GORDON® All rights reserved. No part of this work covered by the copyrights herein may be reproduced or copied in any form or by any means - graphic, electronic, or mechanical, including photocopying, recording, taping or information storage and retrieval systems - without the written permission of Roberts-Gordon.

### Roberts-Gordon

1250 William Street  
P.O. Box 44  
Buffalo, NY 14240-0044 USA  
Telephone: 716.852.4400  
Fax: 716.852.0854  
Toll Free: 800.828.7450

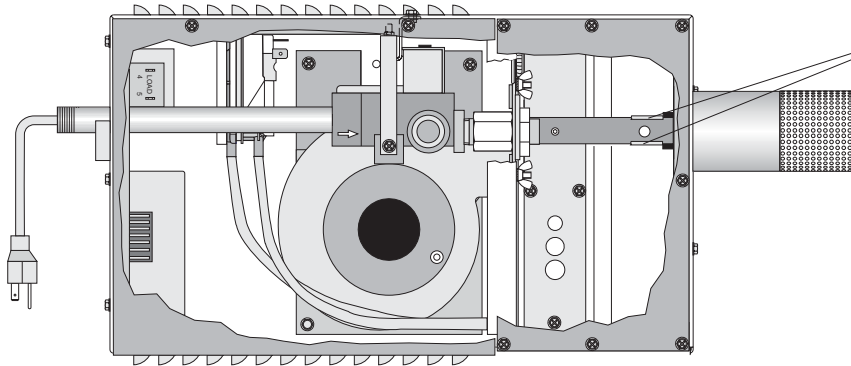
[www.rg-inc.com](http://www.rg-inc.com)

### Roberts-Gordon

76 Main Street West, Unit 10  
Grimsby, Ontario L3M 1R6  
Telephone: 905.945.5403  
Fax: 905.945.0511

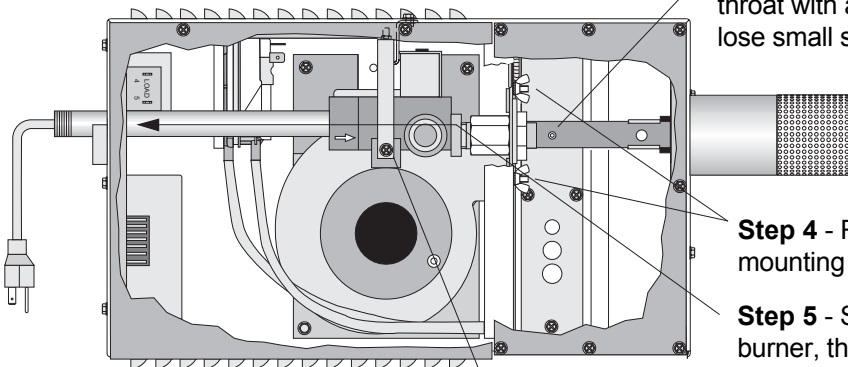
## CARIBE<sup>®</sup> IGNITER REPLACEMENT INSTRUCTIONS (P/N 90439101K) cont.

**Step 1** - Turn off gas supply. Unplug burner power cord. Disconnect gas pipe from pipe nipple at the rear of the burner. Remove eight hex screws from the burner access cover plate and the four screws from the control box door.



**Step 2** - Slide the orange cable boot to reveal the igniter terminal. Carefully disconnect the ignition cable and sensor wires.

**Step 3** - Remove set screw from burner cup throat with allen wrench. Be careful not to lose small set screw



**Step 4** - Remove wing nuts (4) from gas train mounting plate at the base of the burner cup throat.

**Step 5** - Slide entire gas train toward the rear of the burner, then pull the burner cup back through the hole between the burner access chamber and the control box chamber.

**Step 6** - If your heater has a blower with the hanging strap installed, you may need to remove the hex screw, white washer and nut that secures the hanging strap to the blower hanging bracket. Now the gas train can be completely removed from the combustion chamber to make room for removal of burner cup.

**Installation Code:** ROBERTS GORDON<sup>®</sup> products are to be installed only in accordance with local laws, codes and regulations, and only by a contractor qualified in the installation and service of gas-fired heating equipment.

For optimum product performance and safety, installation, service and annual inspections must be completed by a contractor qualified in the installation and service of gas-fired heating equipment.

© 2004 ROBERTS GORDON<sup>®</sup> All rights reserved. No part of this work covered by the copyrights herein may be reproduced or copied in any form or by any means - graphic, electronic, or mechanical, including photocopying, recording, taping or information storage and retrieval systems - without the written permission of Roberts-Gordon.

### Roberts-Gordon

1250 William Street  
P.O. Box 44  
Buffalo, NY 14240-0044 USA  
Telephone: 716.852.4400  
Fax: 716.852.0854  
Toll Free: 800.828.7450

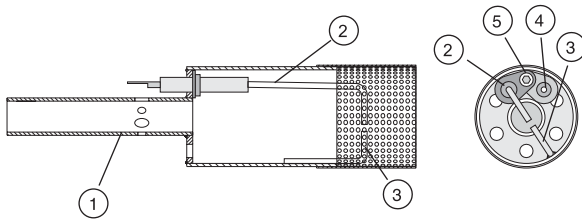
[www.rg-inc.com](http://www.rg-inc.com)

### Roberts-Gordon

76 Main Street West, Unit 10  
Grimsby, Ontario L3M 1R6  
Telephone: 905.945.5403  
Fax: 905.945.0511

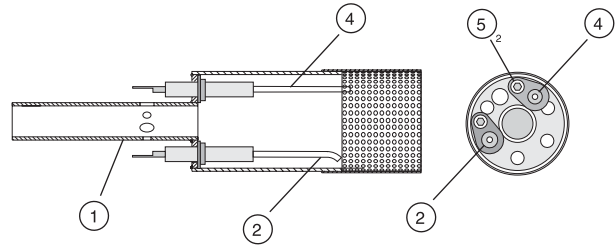
# CARIBE® IGNITER REPLACEMENT INSTRUCTIONS (P/N 90439101K) cont.

**Step 7** - With a 9/64" allen wrench (the wrench must be over 4 3/4" long to reach the screw), remove the screw securing the igniter. Remove and discard the old igniter. If the burner has the Type 1 burner cup with welded secondary igniter, remove the flame sensor as well. If the burner has the Type 2 burner cup, insert the new igniter and replace the screw. For the Type 1 burner cup, first insert the new igniter so that its mounting tab is against the burner cup, then insert the flame sensor so that its mounting tab is on top of the igniter's mounting tab.



**BURNER CUP TYPE 1**

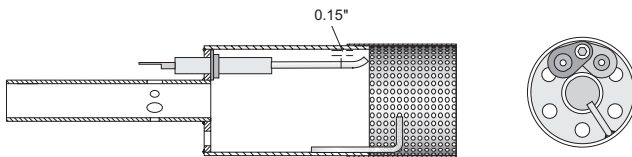
ITEM	DESCRIPTION	PART NUMBER
5	SCREW 8-32x1/2 SST SOCKET HD	93731408
4	SENSOR	90439300
3	IGNITER - SECONDARY	90439200
2	IGNITER - PRIMARY	90439100
1	BURNER CUP	08117100



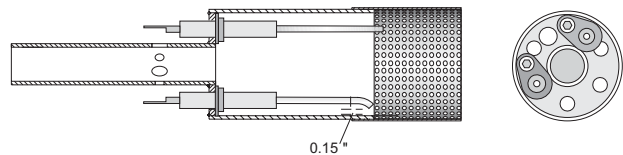
**BURNER CUP TYPE 2**

ITEM	DESCRIPTION	PART NUMBER
5	SCREW 8-32x1/2 SST SOCKET HD	93731408
4	SENSOR	90439300
2	IGNITER	90439101
1	BURNER CUP	08117100

**Step 8** - Replace the screw, securing the igniter and flame sensor in place. Ensure spacing between igniter tip and burner cup sidewall (.15"). The 9/64" allen wrench can be used as a gapping tool. The wrench should be able to pass between the igniter tip and the burner cup side-wall. Reconnect the igniter cable to the igniter tab and the flame sensor wire to the flame sensor tab.



**BURNER CUP TYPE 1 after replacement**



**BURNER CUP TYPE 2 after replacement**

**Step 9** - Refer to FIGURE 1. Feed burner cup back through control box chamber into burner access chamber. Put gas train back in place and secure mounting plate with four thumbscrews. Slide burner cup throat back onto gas train (covering the orifice) until the burner cup throat is against the pipe threads near the gas train mounting plate. Replace and tighten the set screw. Reattach flame sensor wire to the tab on the flame sensor and ignition wire to the tab on the igniter. Replace and secure the door gasket and burner access cover plate with the eight hex screws. If your burner has the blower mounting strap, reattach mounting strap to blower mounting bracket with the hex screw, nut and white washer. Replace and secure the control box door with the four hex screws. Replace flange gasket, reconnect gas and power connections.

**Installation Code:** ROBERTS GORDON® products are to be installed only in accordance with local laws, codes and regulations, and only by a contractor qualified in the installation and service of gas-fired heating equipment.

For optimum product performance and safety, installation, service and annual inspections must be completed by a contractor qualified in the installation and service of gas-fired heating equipment.

© 2004 ROBERTS GORDON® All rights reserved. No part of this work covered by the copyrights herein may be reproduced or copied in any form or by any means - graphic, electronic, or mechanical, including photocopying, recording, taping or information storage and retrieval systems - without the written permission of Roberts-Gordon.

**Roberts-Gordon**  
 1250 William Street  
 P.O. Box 44  
 Buffalo, NY 14240-0044 USA  
 Telephone: 716.852.4400  
 Fax: 716.852.0854  
 Toll Free: 800.828.7450  
[www.rg-inc.com](http://www.rg-inc.com)

**Roberts-Gordon**  
 76 Main Street West, Unit 10  
 Grimsby, Ontario L3M 1R6  
 Telephone: 905.945.5403  
 Fax: 905.945.0511