

## MODULATING GAS VALVE REPLACEMENT KIT INSTRUCTIONS (Roberts-Gordon P/N 90033104K/90033105K)

Before proceeding with gas valve replacement, ensure that the gas valve gas type matches the gas type for the heater. Check the gas type label on the gas valve against the gas type listed on the silver rating plate on the heater.

Heaters are not convertible between gases. Do not use gas valve if gas type does not match the burner rating plate. Gas valves are factory calibrated, do not tamper with factory sealed adjustment screws.

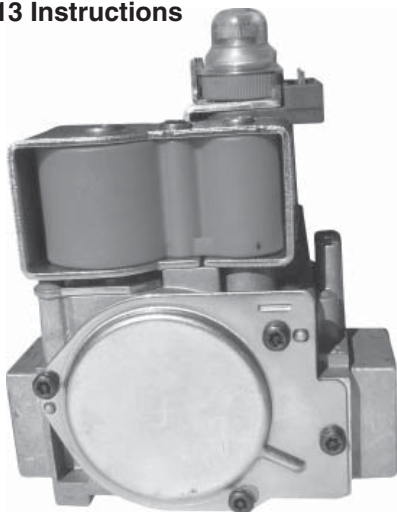
Disconnect heater's gas and electrical power supply before servicing. Extinguish any open flame and do not smoke while performing service to gas carrying components.

<b>⚠ WARNING</b>

<b>Explosion Hazard</b> Turn off the gas supply to the heater before performing any service or maintenance. Failure to follow these instructions can result in death, injury or property damage.

**90033104K Kit Includes:**

**90033104 Modulating Gas Valve (LP)  
91700013 Instructions**

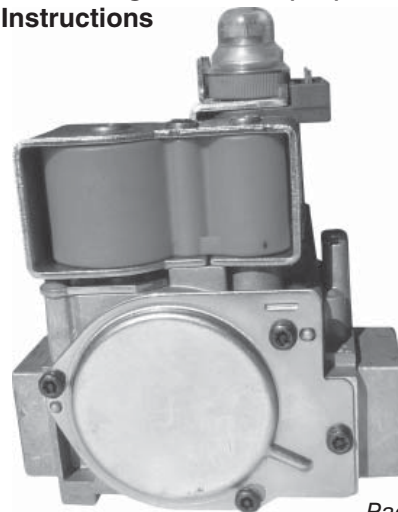


<b>⚠ WARNING</b>

<b>Electrical Shock Hazard</b> Turn off the electrical supply to the heater before performing any service or maintenance. Failure to follow these instructions can result in death, injury or property damage.

**90033105K Kit Includes:**

**90033105 Modulating Gas Valve (NG)  
91700013 Instructions**



Page 1 of 4

### Installation Code and Annual Inspections:

All installations and service of ROBERTS GORDON® products must be performed by a contractor qualified in the installation and service of products sold and supplied by Roberts-Gordon and conform to all requirements set forth in the ROBERTS GORDON® manuals and all applicable governmental authorities pertaining to the installation, service and operation of the equipment.

To help facilitate optimum performance and safety, Roberts-Gordon recommends that a qualified contractor annually inspect your ROBERTS GORDON® products and perform service where necessary, using only ROBERTS GORDON® replacement parts.

### This product is not for residential use.

This document is intended to assist licensed professionals in the exercise of their professional judgement.

© 2006 Roberts-Gordon, LLC All rights reserved. No part of this work covered by the copyrights herein may be reproduced or copied in any form or by any means - graphic, electronic, or mechanical, including photocopying, recording, taping, or information storage and retrieval systems - without written permission of Roberts-Gordon, LLC.

### Roberts-Gordon, LLC

1250 William Street  
P.O. Box 44  
Buffalo, NY 14240-0044 USA  
Telephone: 716.852.4400  
Fax: 716.852.0854  
Toll Free: 800.828.7450

## Gas Valve Replacement

1. Remove both of the heater's side compartment doors.
2. In the control compartment, gently remove the igniter and flame sensor from heater partition. The igniter is fragile, handle with care.
3. Remove the moxex 3-wire plug from the gas valve. Remove the orange and blue wire from the blue modulator coil on the gas valve.
4. In the burner compartment, unscrew the burner cup from the manifold and set aside for later assembly.
5. At the back of the burner box, ensure that the shut off cock on the flexible gas line is fully closed, then disconnect the heater from the flexible gas line.
6. Remove the two screws holding the gas valve to the rear of the burner box.
7. From the control compartment, gently remove the gas valve (and attached manifold) from the compartment.
8. Remove gas valve from the manifold. Using a wrench, grip only to the rectangular metal mounting blocks at the inlet or outlet of the gas valve. Gripping the valve on any other part of the valve body can cause valve damage leading to gas leakage.
9. Discard old valve and replace with the new valve using the same gripping method mentioned above. Ensure that the valve and manifold are aligned as shown in Figure 1. Ensure that the embossed arrow located on the bottom of the valve points toward the manifold.
10. Replace the entire valve/manifold. Ensure that the rubber grommet is properly engaged in the hole in the burner partition.
11. Align the valve mounting slots on the back of the burner box with the mounting holes on the valve inlet mounting block and secure the valve with the two screws removed earlier.
12. Ensure the orifice in the end of the manifold is tightened and secure. Screw the burner cup back onto the manifold.
13. Replace the igniter, flame sensor.
14. Reattach gas valve moxex plug and orange and blue wires, as shown in Figure 2.
15. Reattach the flexible gas line to the heater. Turn on gas supply.
16. Test for gas leaks at the inlet and outlet of the gas valve using a soap and water solution. Ensure gas tightness before replacing compartment doors and electrical power supply.

---

### Installation Code and Annual Inspections:

All installations and service of ROBERTS GORDON® products must be performed by a contractor qualified in the installation and service of products sold and supplied by Roberts-Gordon and conform to all requirements set forth in the ROBERTS GORDON® manuals and all applicable governmental authorities pertaining to the installation, service and operation of the equipment.

To help facilitate optimum performance and safety, Roberts-Gordon recommends that a qualified contractor annually inspect your ROBERTS GORDON® products and perform service where necessary, using only ROBERTS GORDON® replacement parts.

### This product is not for residential use.

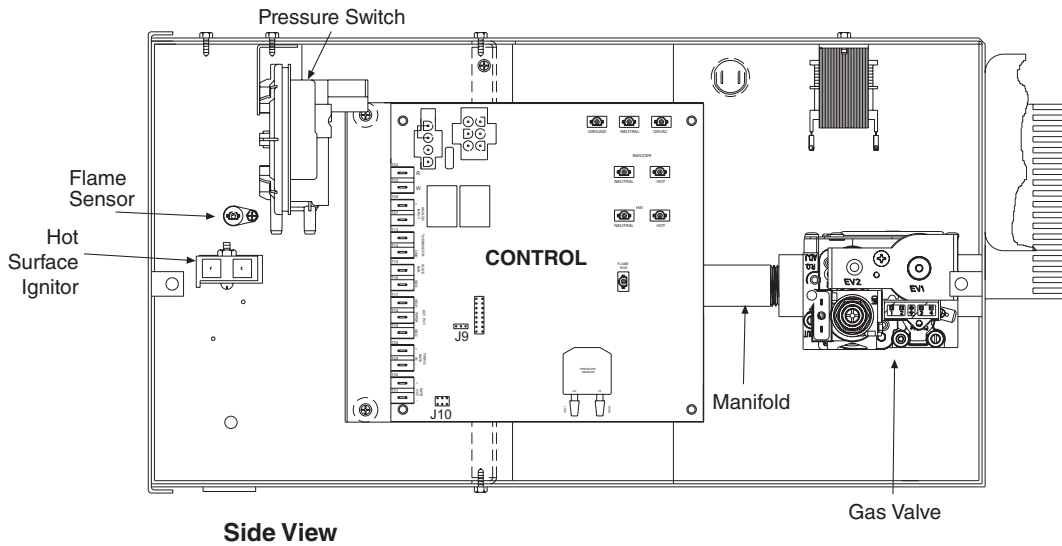
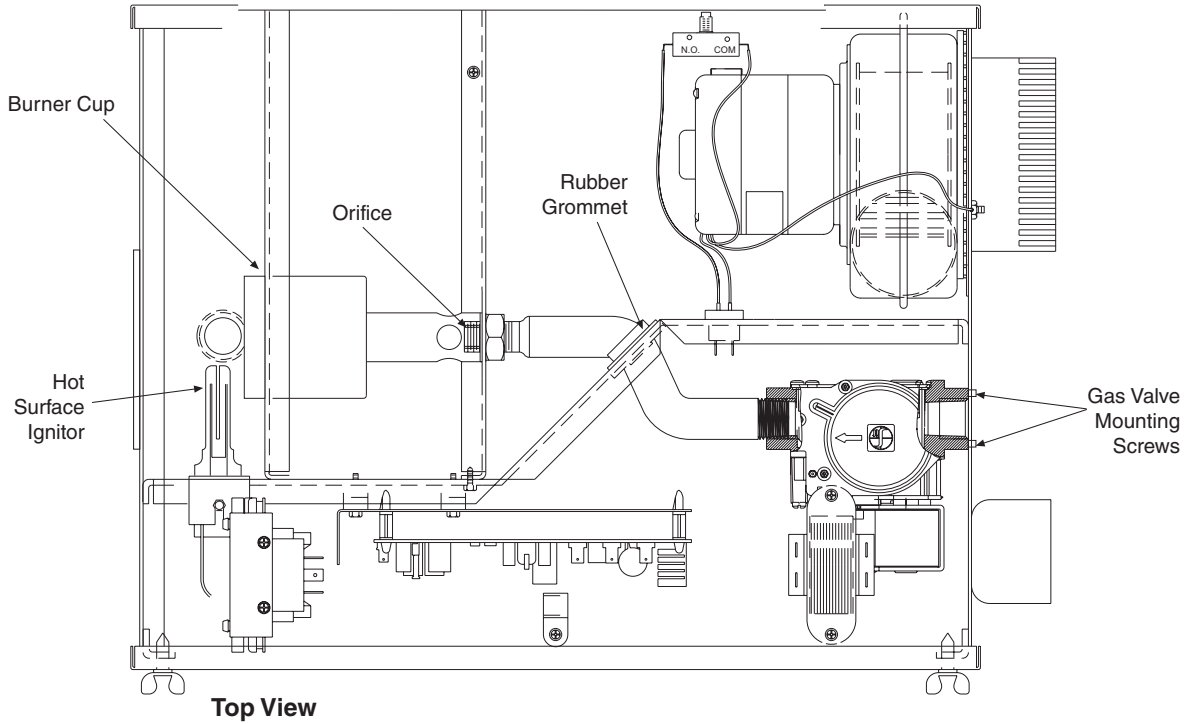
This document is intended to assist licensed professionals in the exercise of their professional judgement.

© 2006 Roberts-Gordon, LLC. All rights reserved. No part of this work covered by the copyrights herein may be reproduced or copied in any form or by any means - graphic, electronic, or mechanical, including photocopying, recording, taping, or information storage and retrieval systems - without written permission of Roberts-Gordon, LLC.

### Roberts-Gordon, LLC

1250 William Street  
P.O. Box 44  
Buffalo, NY 14240-0044 USA  
Telephone: 716.852.4400  
Fax: 716.852.0854  
Toll Free: 800.828.7450

Figure 1



**Installation Code and Annual Inspections:**

All installations and service of ROBERTS GORDON® products must be performed by a contractor qualified in the installation and service of products sold and supplied by Roberts-Gordon and conform to all requirements set forth in the ROBERTS GORDON® manuals and all applicable governmental authorities pertaining to the installation, service and operation of the equipment.

To help facilitate optimum performance and safety, Roberts-Gordon recommends that a qualified contractor annually inspect your ROBERTS GORDON® products and perform service where necessary, using only ROBERTS GORDON® replacement parts.

**This product is not for residential use.**

This document is intended to assist licensed professionals in the exercise of their professional judgement.

© 2006 Roberts-Gordon, LLC. All rights reserved. No part of this work covered by the copyrights herein may be reproduced or copied in any form or by any means - graphic, electronic, or mechanical, including photocopying, recording, taping, or information storage and retrieval systems - without written permission of Roberts-Gordon, LLC.

**Roberts-Gordon, LLC**

1250 William Street  
 P.O. Box 44  
 Buffalo, NY 14240-0044 USA  
 Telephone: 716.852.4400  
 Fax: 716.852.0854  
 Toll Free: 800.828.7450

