


IGNITION MODULE REPLACEMENT KIT CGTH (Roberts-Gordon P/N 90434009K)

This kit provides instructions to replace module (P/N 90434009), used on models made after Dec.1, 2010.


⚠ WARNING



Explosion Hazard
Turn off gas supply to heater before service.

Failure to follow these instructions can result in death, injury or property damage.

⚠ DANGER



Electrical Shock Hazard
Disconnect electric before service.

Heater must be properly grounded.

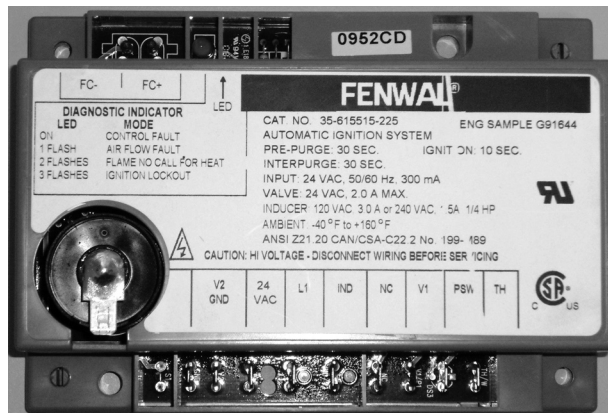
Failure to follow these instructions can result in death or electrical shock.

Kit Includes:

One (1) Ignition module, CGTH (P/N 90434009)

One (1) Instruction Sheet, Ignition Module Replacement (P/N 91700053)

P/N 90434009



Installation Code and Annual Inspections: All installation and service of ROBERTS GORDON® equipment must be performed by a contractor qualified in the installation and service of equipment sold and supplied by Roberts-Gordon LLC and conform to all requirements set forth in the ROBERTS GORDON® manuals and all applicable governmental authorities pertaining to the installation, service and operation of the equipment. To help facilitate optimum performance and safety, Roberts-Gordon LLC recommends that a qualified contractor conduct, at a minimum, annual inspections of your ROBERTS GORDON® equipment and perform service where necessary, using only replacement parts sold and supplied by Roberts-Gordon LLC.

Further Information: Applications, engineering and detailed guidance on systems design, installation and equipment performance is available through ROBERTS GORDON® representatives. Please contact us for any further information you may require, including the Installation, Operation and Service Manual.

© 2010 Roberts-Gordon LLC All rights reserved. No part of this work covered by the copyrights herein may be reproduced or copied in any form or by any means – graphic, electronic, or mechanical, including photocopying, recording, taping, or information storage and retrieval systems – without written permission of Roberts-Gordon LLC.

Roberts-Gordon LLC

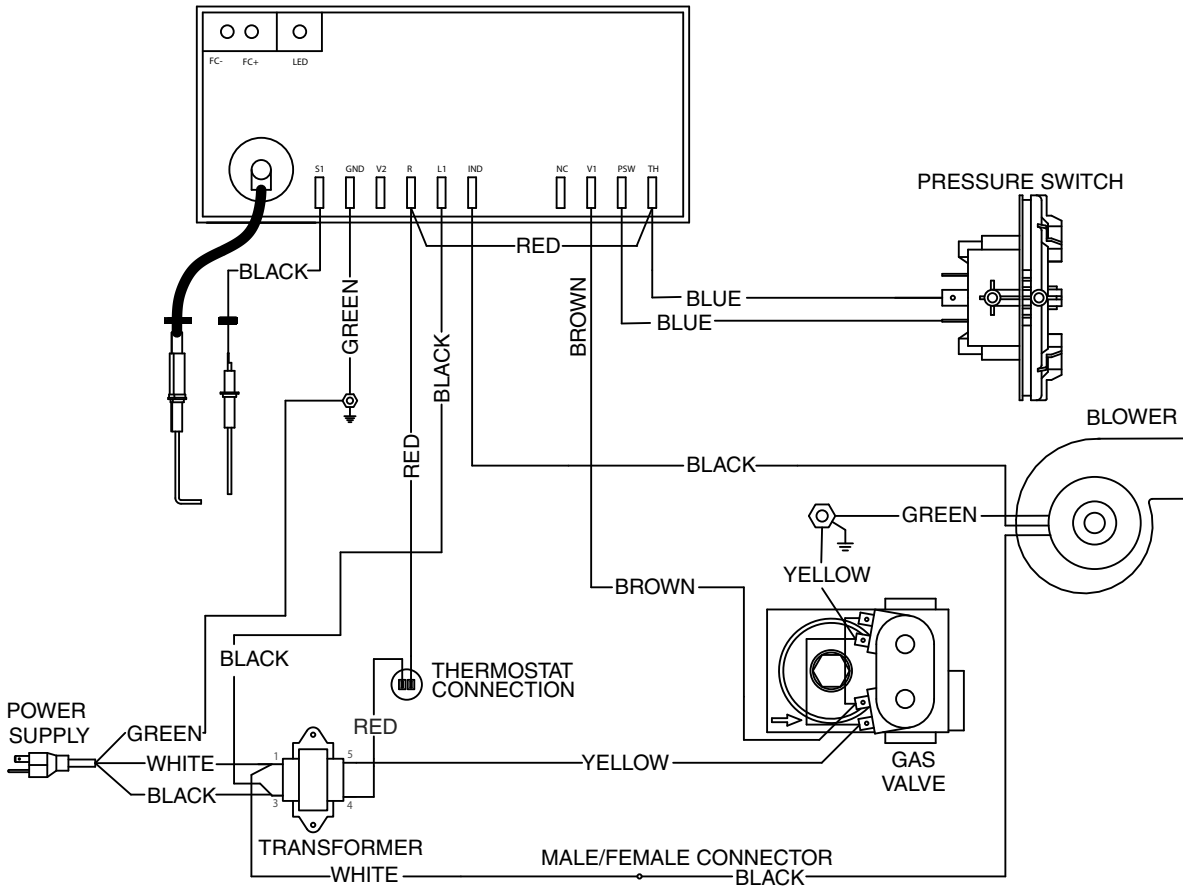
1250 William Street
P.O. Box 44
Buffalo, NY 14240-0044
Telephone: +1.716.852.4400
Fax: +1.716.852.0854
Toll Free: 800.828.7450

This document is intended to assist licensed professionals in the exercise of their professional judgment.

REPLACEMENT INSTRUCTIONS to replace 90434009 (used on models made after Dec. 1, 2010)

1. Disconnect electric supply to heater.
2. Turn off gas supply to heater.
3. Remove two screws, wire harness and ignition cable from Fenwal Module (P/N 90434009). Discard old module.
4. Install new Fenwal Module (P/N 90434009), wire harness and ignition cable in reverse order. See Figure 1.
5. Turn on gas and electric supplies.

Figure 1: Wiring Diagram



Installation Code and Annual Inspections: All installation and service of ROBERTS GORDON® equipment must be performed by a contractor qualified in the installation and service of equipment sold and supplied by Roberts-Gordon LLC and conform to all requirements set forth in the ROBERTS GORDON® manuals and all applicable governmental authorities pertaining to the installation, service and operation of the equipment. To help facilitate optimum performance and safety, Roberts-Gordon LLC recommends that a qualified contractor conduct, at a minimum, annual inspections of your ROBERTS GORDON® equipment and perform service where necessary, using only replacement parts sold and supplied by Roberts-Gordon LLC.

Further Information: Applications, engineering and detailed guidance on systems design, installation and equipment performance is available through ROBERTS GORDON® representatives. Please contact us for any further information you may require, including the Installation, Operation and Service Manual.

© 2010 Roberts-Gordon LLC All rights reserved. No part of this work covered by the copyrights herein may be reproduced or copied in any form or by any means – graphic, electronic, or mechanical, including photocopying, recording, taping, or information storage and retrieval systems – without written permission of Roberts-Gordon LLC.

Roberts-Gordon LLC
 1250 William Street
 P.O. Box 44
 Buffalo, NY 14240-0044
 Telephone: +1.716.852.4400
 Fax: +1.716.852.0854
 Toll Free: 800.828.7450

This document is intended to assist licensed professionals in the exercise of their professional judgment.